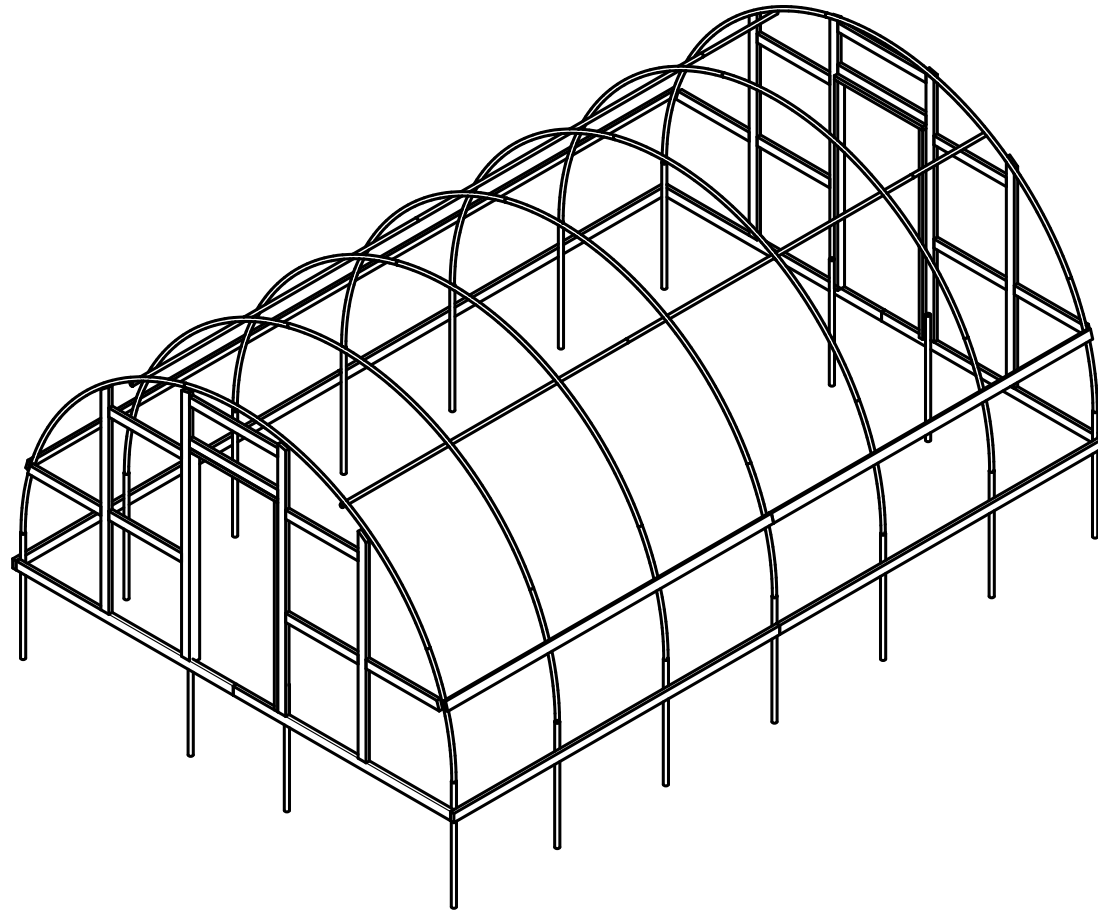


2

1

B

B



A

A

UNLESS OTHERWISE SPECIFIED, DIMENSIONS ARE IN INCHES .XX = ±.0- .XXX = ±.00- .XXXX = ±.000- SURFACE FINISH		NAME	DATE	<b>Roberts Ranch Hoophouses</b>  <b>16' Wide Hoophouse EXAMPLE PLAN</b>		
DO NOT SCALE DRAWING		DRAWN	KEVIN ROBERTS			01/25/2020
BREAK ALL SHARP EDGES AND REMOVE BURRS		CHECKED				
THIRD ANGLE PROJECTION 		APPROVED				
		MATERIAL	FINISH	SIZE	DWG NO.	
		Galvanized Steel		A	H16	
				SCALE	1:60	
				WEIGHT		
				SHEET	1 of 1	
				REV.	A	

2

1

2

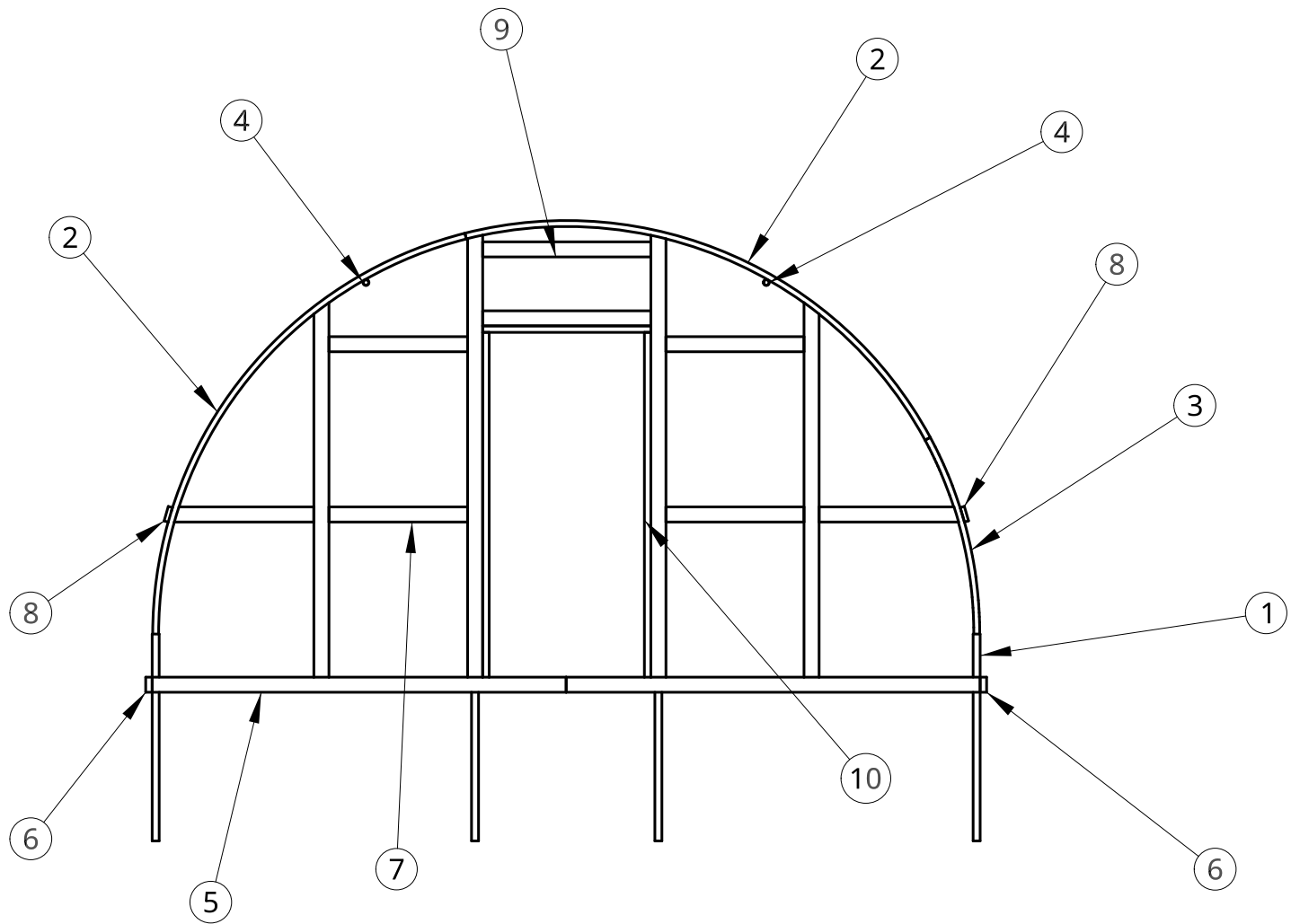
1

**16' Wide BOM**

1	1.625"x4' Post
2	1.375"x10.5' Arc
3	1.375"x4' Arc
4	1.375"x10.5' Purlin
5	2x4x8 Pressure Treated
6	2x4x12 Pressure Treated
7	2x4 Framing
8	1x4x12 Wiggle Board
9	Air Vent
10	36"x80" Door

B

B



A

A

2

1

UNLESS OTHERWISE SPECIFIED,  
DIMENSIONS ARE IN INCHES  
.XX = ±.0-  
.XXX = ±.00-  
.XXXX = ±.000-  
ANGULAR = ± °  
FRACTIONAL = ±

SURFACE FINISH

DO NOT SCALE DRAWING

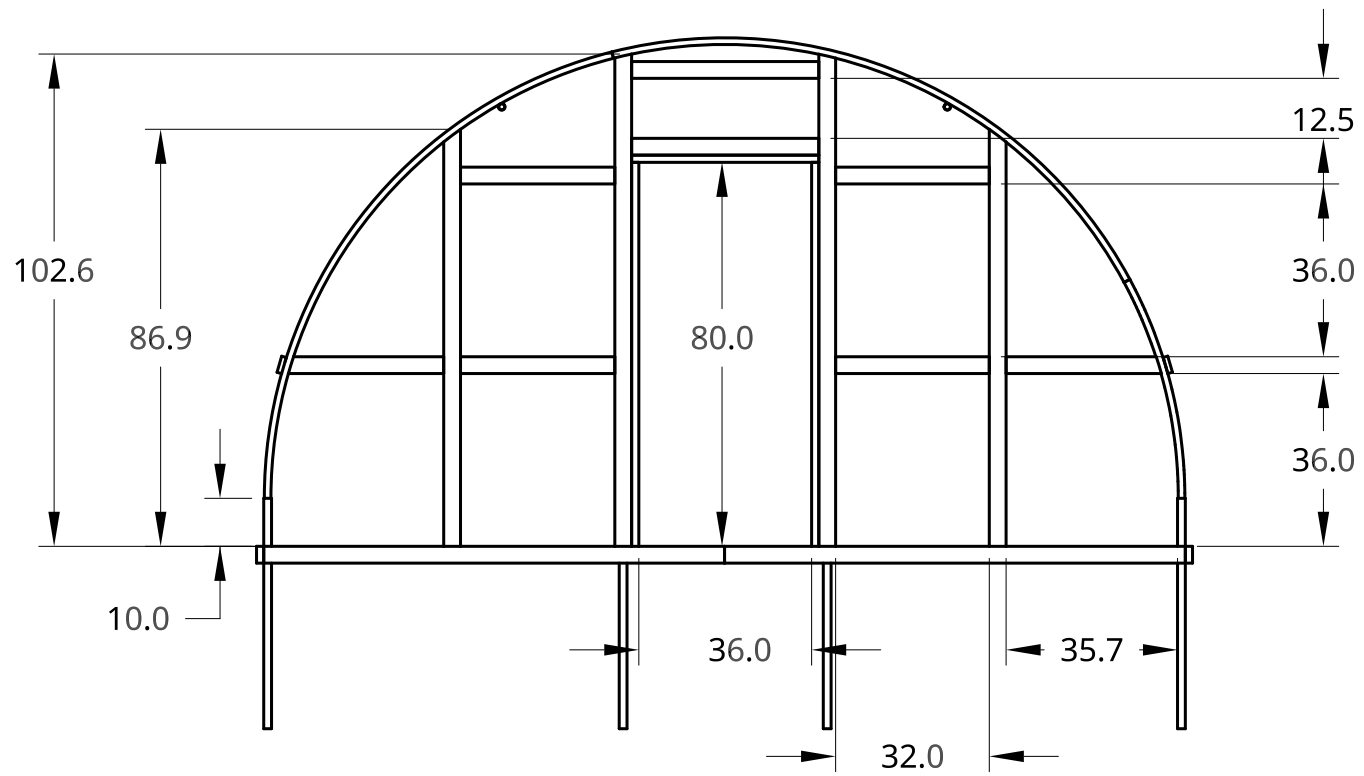
BREAK ALL SHARP EDGES AND  
REMOVE BURRS

THIRD ANGLE PROJECTION

	NAME	DATE
DRAWN	KEVIN ROBERTS	01/25/2020
CHECKED		
APPROVED		
MATERIAL	FINISH	
Galvanized Steel		

Roberts Ranch Hoophouses			
TITLE			
16' Wide Hoophouse EXAMPLE PLAN			
SIZE	DWG NO.	REV.	
A	H16	A	
SCALE	WEIGHT	SHEET	
1:40		1 of 1	

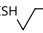

B



B

A

A

UNLESS OTHERWISE SPECIFIED, DIMENSIONS ARE IN INCHES .XX = ±.0- .XXX = ±.00- .XXXX = ±.000- SURFACE FINISH 		NAME	DATE	<b>Roberts Ranch Hoophouses</b>	
DO NOT SCALE DRAWING		DRAWN	KEVIN ROBERTS		
BREAK ALL SHARP EDGES AND REMOVE BURRS		CHECKED		TITLE <b>16' Wide Hoophouse EXAMPLE PLAN</b>	
THIRD ANGLE PROJECTION 		APPROVED			
MATERIAL		FINISH		SIZE	REV.
Galvanized Steel				<b>A</b>	<b>A</b>
SCALE		WEIGHT		SHEET	
1:40				1 of 1	

2

1