

1	1.875" OD Peak
2	1.875" OD Truss
3	1.875" OD Arc
4	1.875" OD Post
5	Wood Framing
6	2"x12" Dual Sliding Door Header
7	1.375" OD Brace
8	Hot Air Vent
9	8' x 8' Bay Door
10	1"x4" Roll-Up Board
11	1.375" OD Purlin

Wind Load - 65 MPH
 Snow Load - 30 PSF

UNLESS OTHERWISE SPECIFIED, DIMENSIONS ARE IN INCHES .XX = ±.0- .XXX = ±.00- .XXXX = ±.000- SURFACE FINISH <input checked="" type="checkbox"/>		NAME		DATE		Roberts Ranch Hoopouses	
DO NOT SCALE DRAWING		DRAWN		RICA ABING		08/05/2024	
BREAK ALL SHARP EDGES AND REMOVE BURRS		CHECKED		KEVIN ROBERTS		TITLE	
THIRD ANGLE PROJECTION		APPROVED		KEVIN ROBERTS		30' Wide Gothic Hightunnel Front View	
MATERIAL		FINISH		SIZE		DWG NO.	
Galvanized Steel				A		G30-1	
				SCALE		WEIGHT	
				1:50		1 of 7	
						REV B	

2

1

B

B

A

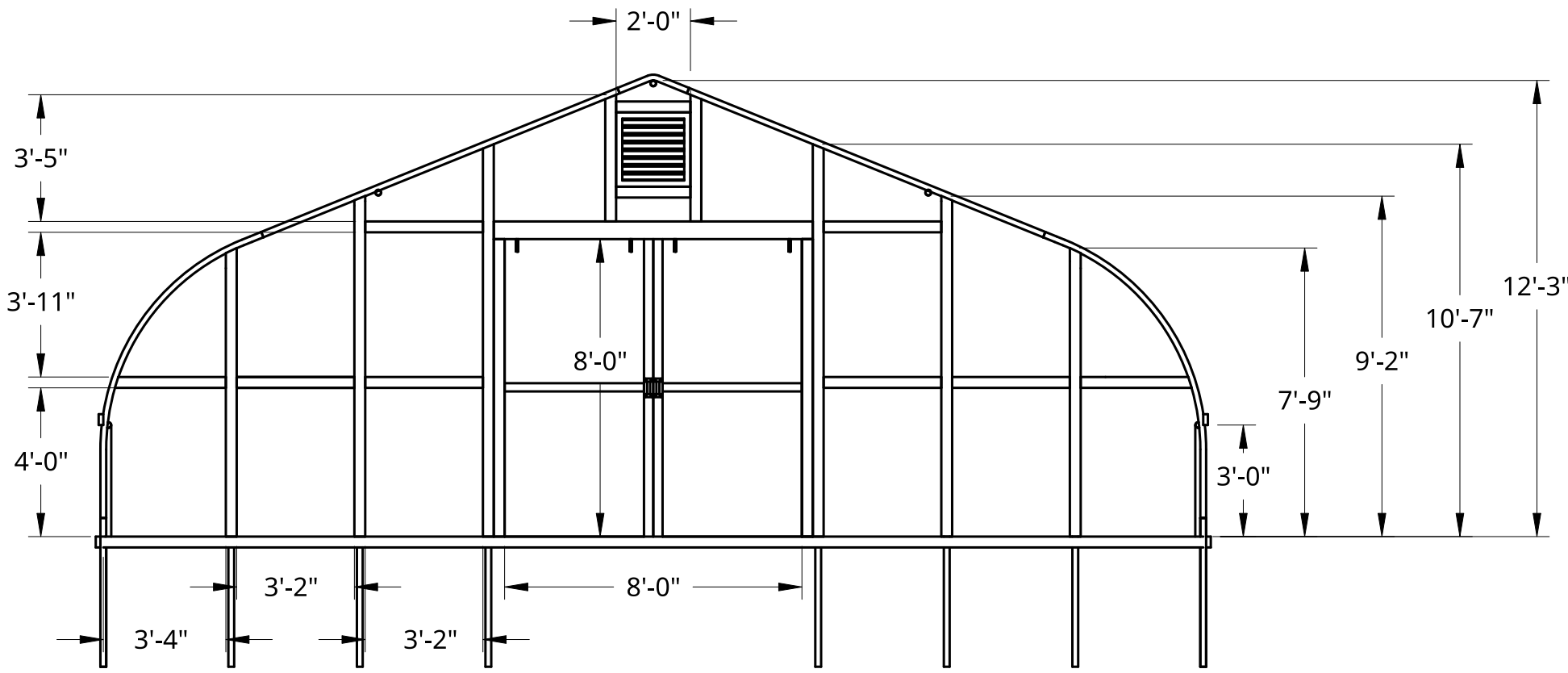
A

2

1

B

B



A

A

Wind Load - 65 MPH
 Snow Load - 30 PSF

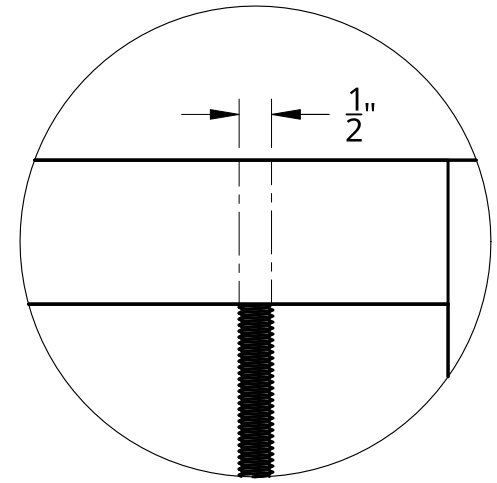
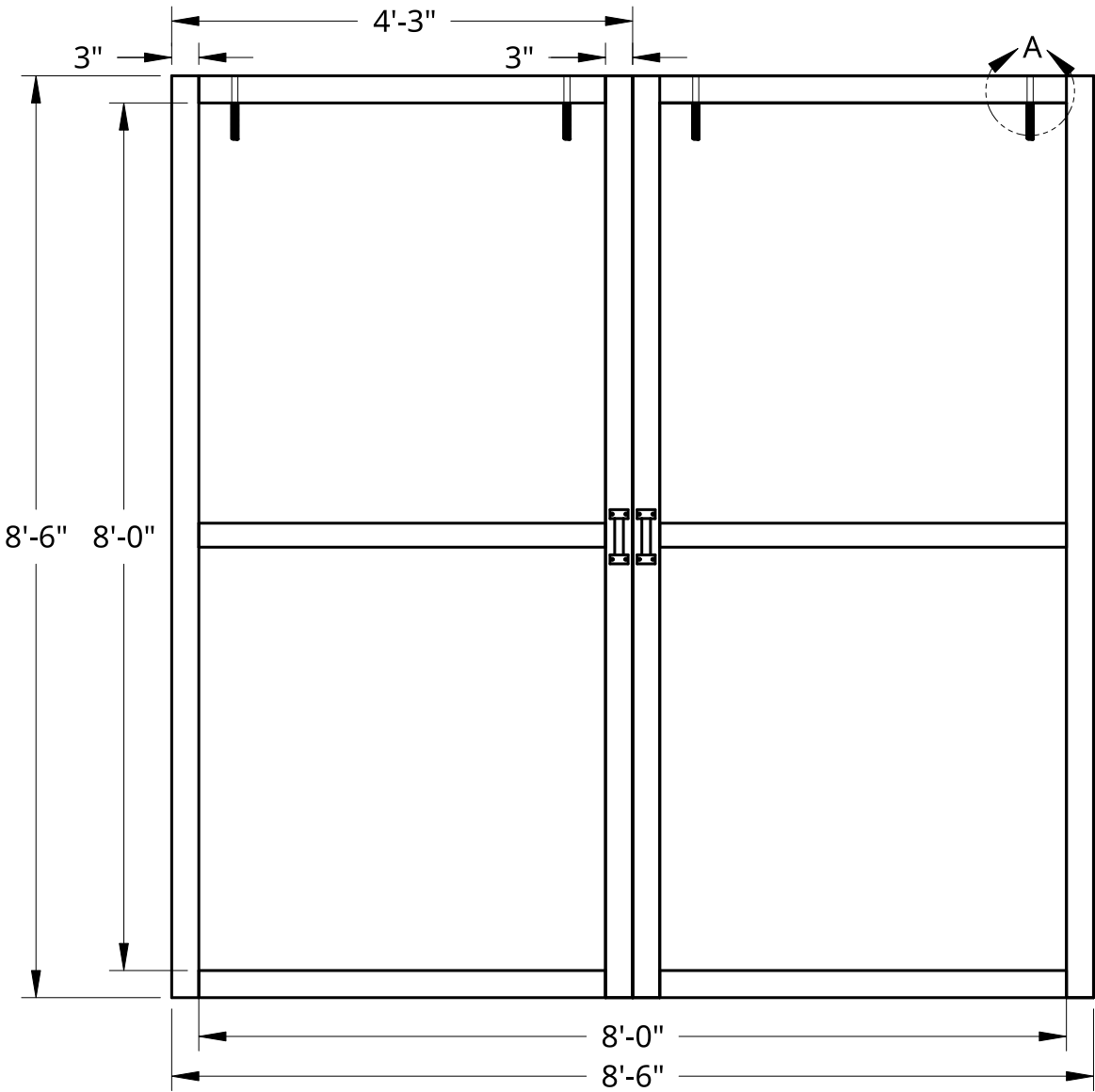
UNLESS OTHERWISE SPECIFIED, DIMENSIONS ARE IN INCHES .XX = ±.0- .XXX = ±.00- .XXXX = ±.000- SURFACE FINISH ✓ DO NOT SCALE DRAWING BREAK ALL SHARP EDGES AND REMOVE BURRS THIRD ANGLE PROJECTION 		NAME	DATE	Roberts Ranch Hoophouses	
DRAWN	Rica Abing	08/05/2024	TITLE		
CHECKED	KEVIN ROBERTS		30' Wide Gothic Hightunnel Dimensioned Front View		
APPROVED	E. Roberts	7/8/2021	SIZE	DWG NO.	REV
			A	G30-2	B
			SCALE	WEIGHT	SHEET
			1:50		2 of 7

2

1

2

1



DETAIL A
1/2" Thread hole
SCALE 1:4

B

B

A

A

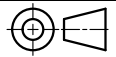
UNLESS OTHERWISE SPECIFIED,
DIMENSIONS ARE IN INCHES
.XX = ±.0-
.XXX = ±.00-
.XXXX = ±.000-
ANGULAR = ± °
FRACTIONAL = ±

SURFACE FINISH

DO NOT SCALE DRAWING

BREAK ALL SHARP EDGES AND REMOVE BURRS

THIRD ANGLE PROJECTION



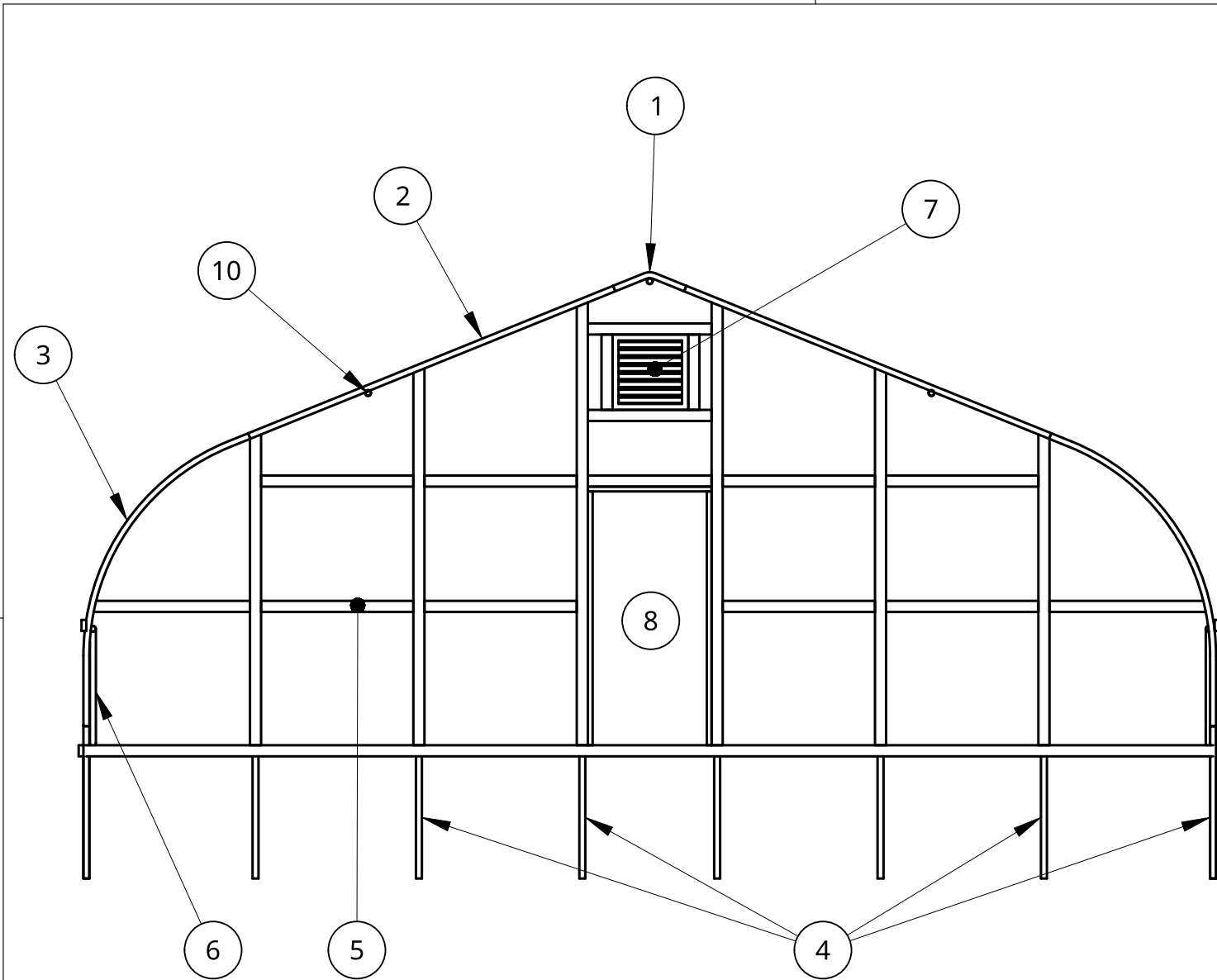
	NAME	DATE
DRAWN	Rica Abing	08/05/2024
CHECKED	KEVIN ROBERTS	
APPROVED		

MATERIAL	FINISH
Galvanized Steel	

Roberts Ranch Hoophouses			
TITLE			
Dual Door Blow-Up Plan & Details			
SIZE	DWG NO.	REV.	
A	G30-3	A	
SCALE	WEIGHT	SHEET	
1:50		3 of 7	

2

1



1	1.875" OD Peak
2	1.875" OD Truss
3	1.875" OD Arc
4	1.875" OD Post
5	Wood Framing
6	1.375" OD Brace
7	Hot Air Vent
8	36"x80" Man Door
9	1"x4" Roll-Up Board
10	1.375" OD Purlin

Wind Load - 65 MPH
Snow Load - 30 PSF

UNLESS OTHERWISE SPECIFIED,
DIMENSIONS ARE IN INCHES
.XX = ±.0-
.XXX = ±.00-
.XXXX = ±.000-
ANGULAR = ± °
FRACTIONAL = ±

SURFACE FINISH

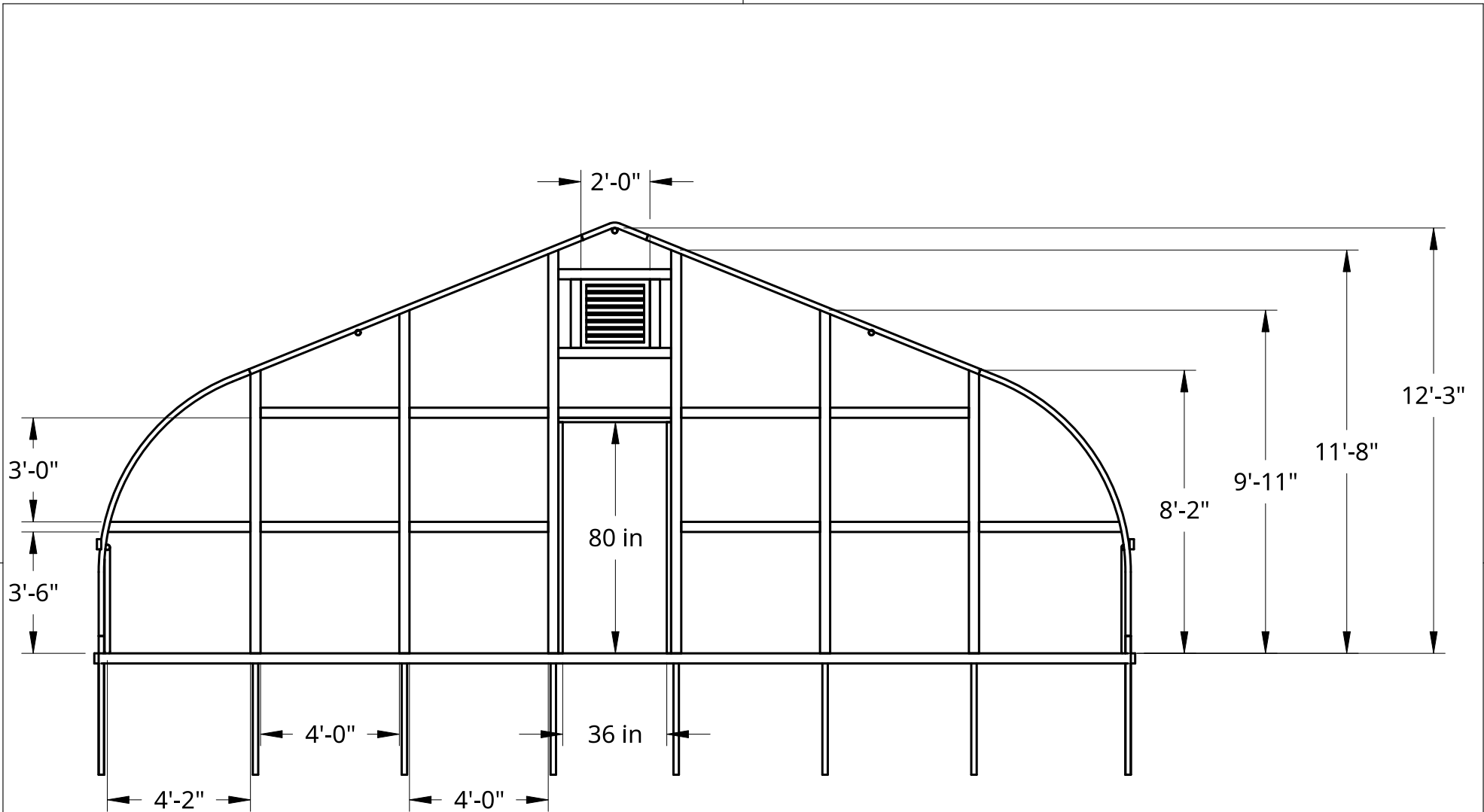
DO NOT SCALE DRAWING

BREAK ALL SHARP EDGES AND REMOVE BURRS

THIRD ANGLE PROJECTION

	NAME	DATE
DRAWN	RICA ABING	08/02/2024
CHECKED	KEVIN ROBERTS	
APPROVED	E. Roberts	7/8/2021
MATERIAL	Galvanized Steel	
FINISH		

Roberts Ranch Hoophouses			
TITLE			
30' Wide Gothic Hightunnel Back View			
SIZE	DWG NO.	REV.	
A	G30-4	A	
SCALE	WEIGHT	SHEET	
1:50		4 of 7	



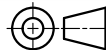
Wind Load - 65 MPH
 Snow Load - 30 PSF

UNLESS OTHERWISE SPECIFIED,
 DIMENSIONS ARE IN INCHES
 .XX = ±.0-
 .XXX = ±.00-
 .XXXX = ±.000-
 SURFACE FINISH ✓
 ANGULAR = ± °
 FRACTIONAL = ±

DO NOT SCALE DRAWING

BREAK ALL SHARP EDGES AND
 REMOVE BURRS

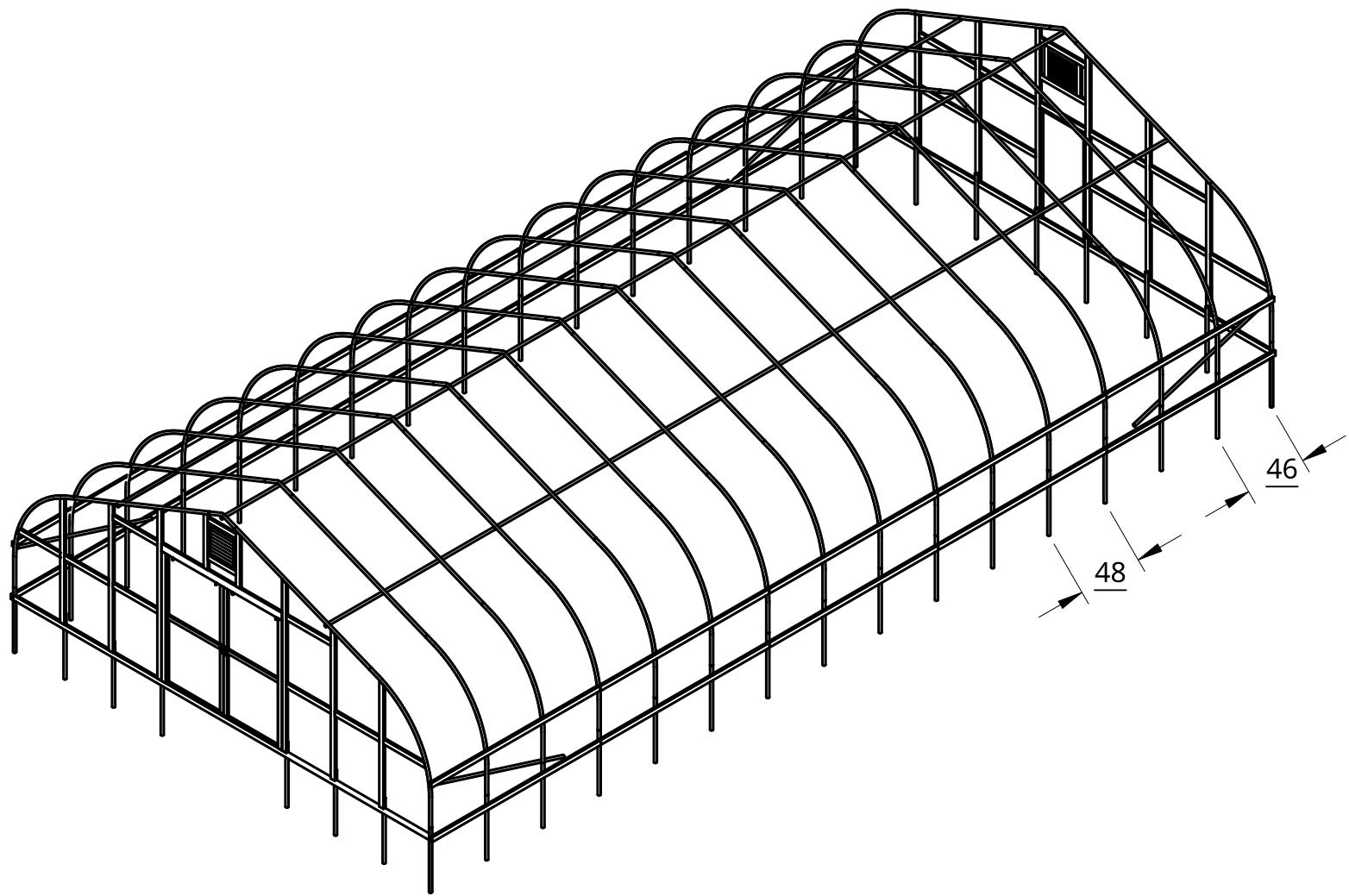
THIRD ANGLE PROJECTION



	NAME	DATE
DRAWN	Rica Abing	08/02/2024
CHECKED	KEVIN ROBERTS	06/30/2021
APPROVED	E. Roberts	7/8/2021

MATERIAL	FINISH
Galvanized Steel	

Roberts Ranch Hoophouses			
TITLE			
30' Wide Gothic Hightunnel Dimensioned Back View			
SIZE	DWG NO.	REV.	
A	G30-5	A	
SCALE	WEIGHT	SHEET	
1:50		5 of 7	



Wind Load - 65 MPH
 Snow Load - 30 PSF

UNLESS OTHERWISE SPECIFIED, DIMENSIONS ARE IN INCHES .XX = ±.0- .XXX = ±.00- .XXXX = ±.000- SURFACE FINISH		NAME	DATE	Roberts Ranch Hoophouses	
DO NOT SCALE DRAWING	DRAWN	RICA ABING	08/05/2024	TITLE 30' Wide Gothic Hightunnel Isometric View	
BREAK ALL SHARP EDGES AND REMOVE BURRS	CHECKED	KEVIN ROBERTS			
THIRD ANGLE PROJECTION 	APPROVED				
	MATERIAL	FINISH		SIZE	DWG NO.
	Galvanized Steel			A	G30-6
				SCALE	WEIGHT
				1:100	
				SHEET	6 of 7
				REV	B

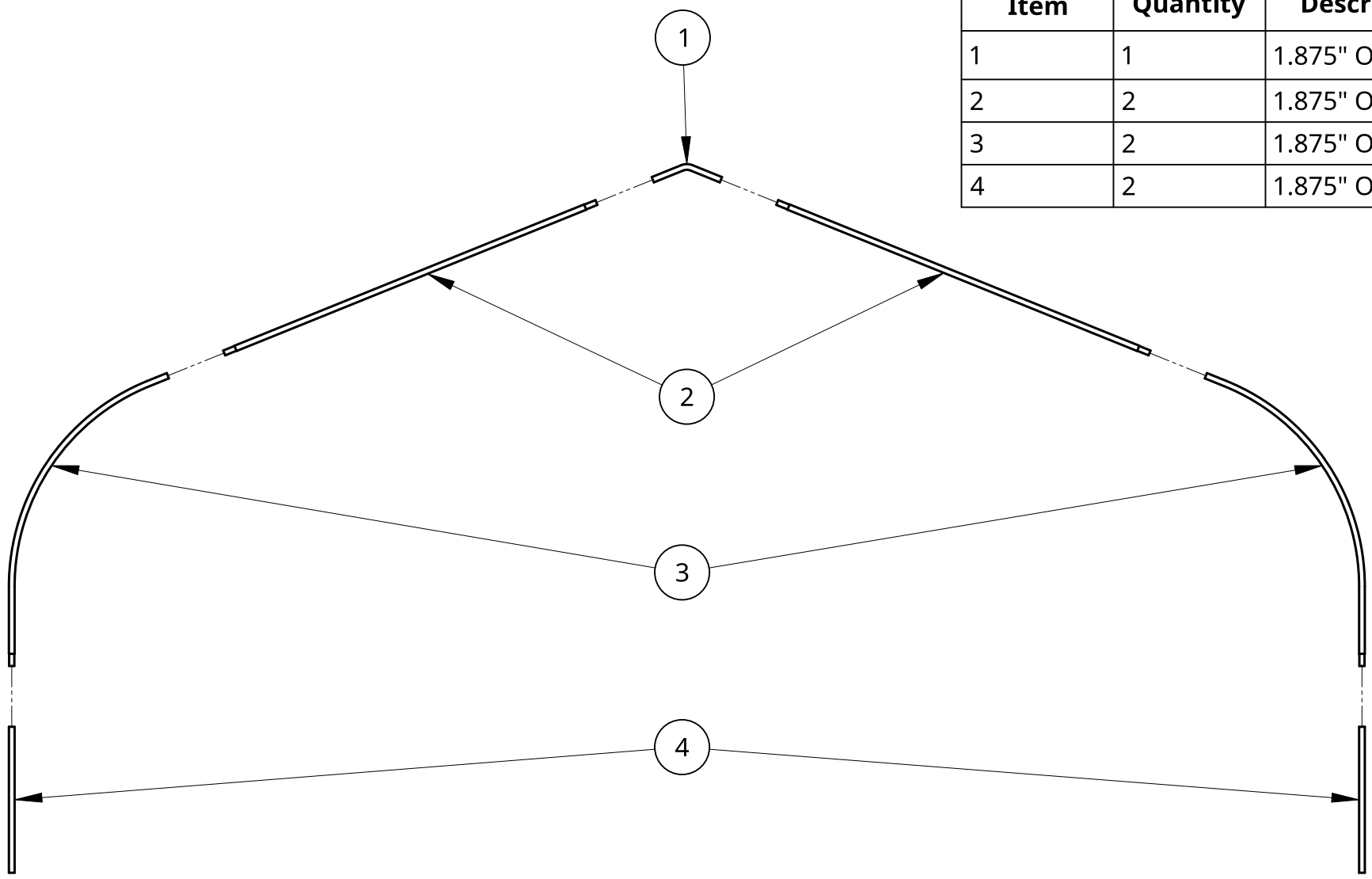
2

1

Item	Quantity	Description
1	1	1.875" OD Peak
2	2	1.875" OD Truss
3	2	1.875" OD Arc
4	2	1.875" OD Post

B

B



A

A

2

1

UNLESS OTHERWISE SPECIFIED, DIMENSIONS ARE IN INCHES .XX = ±.0- .XXX = ±.00- .XXXX = ±.000- SURFACE FINISH	DRAWN	Rica Abing	6/18/2024	Roberts Ranch Hoophouses	
	CHECKED	KEVIN ROBERTS			
	APPROVED			SIZE	DWG NO.
	DO NOT SCALE DRAWING				A
BREAK ALL SHARP EDGES AND REMOVE BURRS				SCALE	WEIGHT
THIRD ANGLE PROJECTION	MATERIAL	FINISH		SHEET	
	Galvanized Steel			7 of 7	

REV B

7 of 7