

1	1.375" OD Arc
2	1.625" OD Post
3	2"x2" Metal Framing
4	2'x2' Hot Air Vent
5	8' x 8' Bay Door
6	1"x2" Roll-Up Board
7	Dual Bay Door Bottom Header

A

A

Wind Load - 65 MPH
Snow Load - 30 PSF

UNLESS OTHERWISE SPECIFIED,
DIMENSIONS ARE IN INCHES

.XX = ±.0-
.XXX = ±.00-
.XXXX = ±.000-

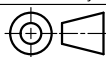
ANGULAR = ± °
FRACTIONAL = ±

SURFACE FINISH

DO NOT SCALE DRAWING

BREAK ALL SHARP EDGES AND
REMOVE BURRS

THIRD ANGLE PROJECTION



	NAME	DATE
DRAWN	RICA JANE ABING	08/07/2024
CHECKED	Kevin Roberts	
APPROVED		

MATERIAL	FINISH
Galvanized Steel	

Roberts Ranch Hoophouses

TITLE
**24' Wide Hoophouse
Front View & BOM**

SIZE	DWG NO.	REV.
A	H24-1	C
SCALE	WEIGHT	SHEET
1:40		1 of 9

2

1

2

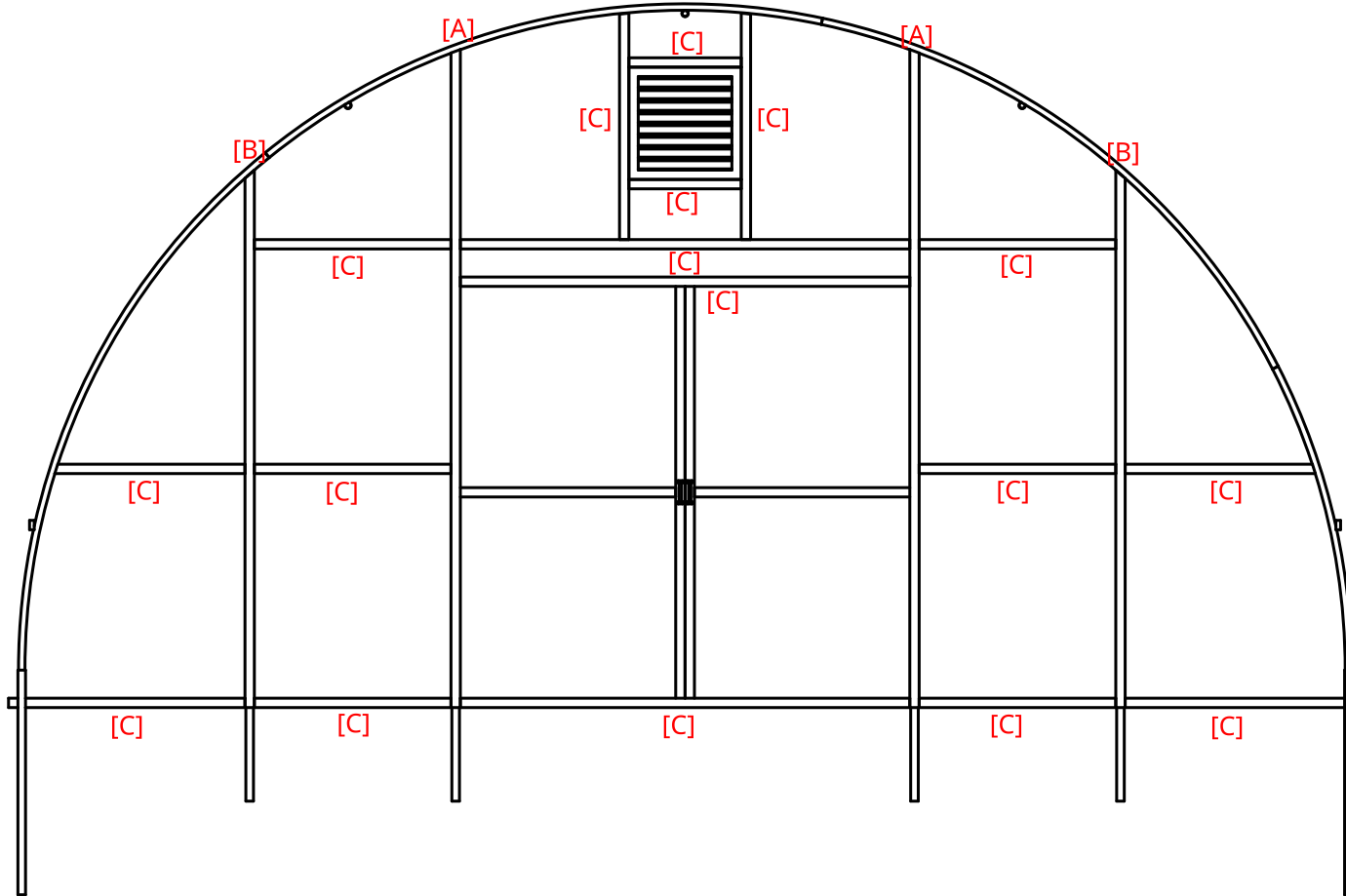
1

Metal Framing Detail

Item	Description
A, B	2"x2" Vertical Stud
C	2"x2" Horizontal Stud
C	2"x2" Base Frame
C	2"x2" Air Vent Frame

B

B



A

A

Wind Load - 65 MPH
Snow Load - 30 PSF

UNLESS OTHERWISE SPECIFIED,
DIMENSIONS ARE IN INCHES

.XX = ±.0-
.XXX = ±.00-
.XXXX = ±.000-

ANGULAR = ± °
FRACTIONAL = ±

SURFACE FINISH

DO NOT SCALE DRAWING

BREAK ALL SHARP EDGES AND
REMOVE BURRS

THIRD ANGLE PROJECTION



	NAME	DATE
DRAWN	RICA JANE ABING	08/07/2024
CHECKED	Kevin Roberts	
APPROVED		

MATERIAL	FINISH
Galvanized Steel	

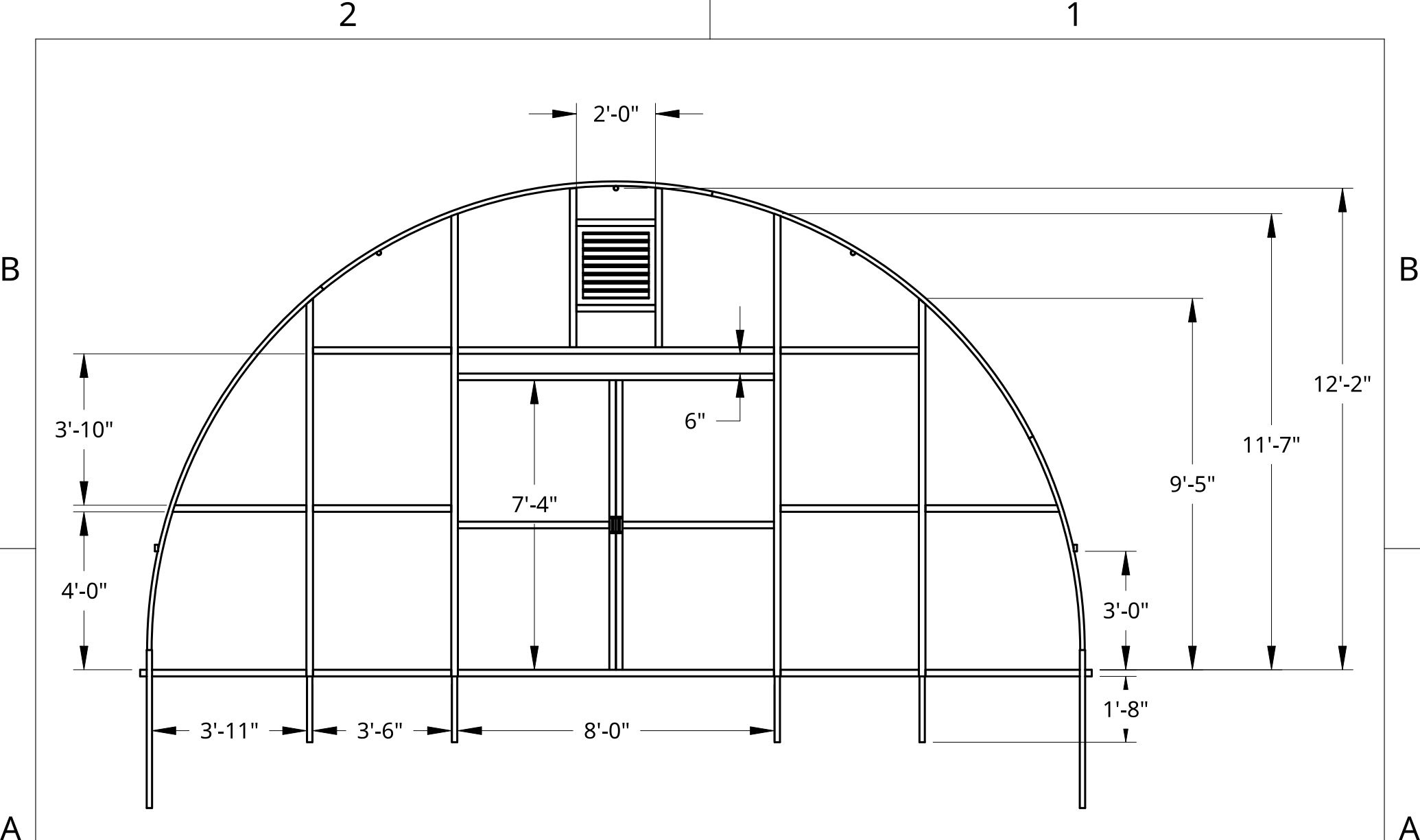
Roberts Ranch Hoopouses

TITLE
**24' Wide Hoopouse
Front View & BOM**

SIZE	DWG NO.	REV.
A	H24-2	C
SCALE 1:40	WEIGHT	SHEET 2 of 9

2

1



Wind Load - 65 MPH
 Snow Load - 30 PSF

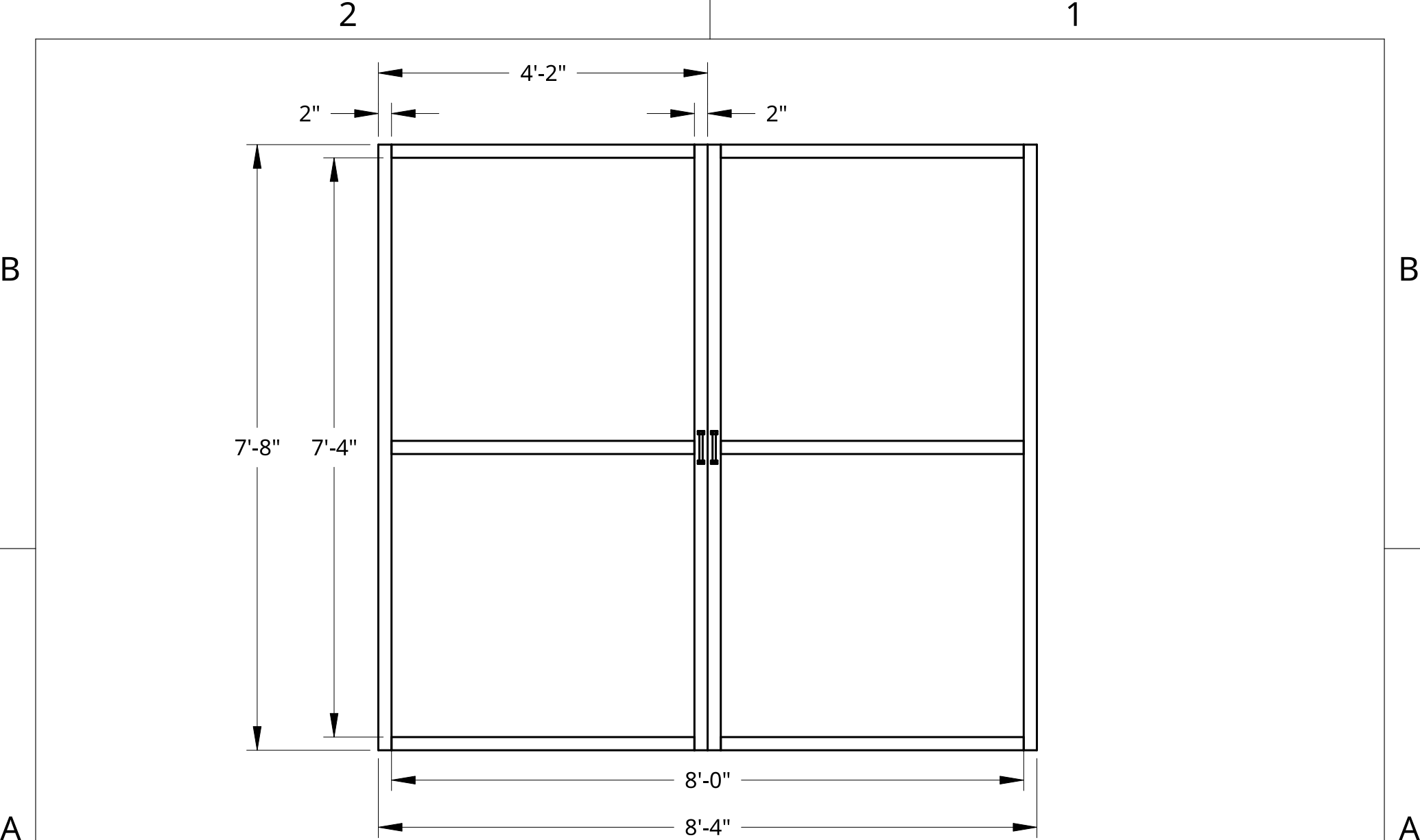
UNLESS OTHERWISE SPECIFIED,
 DIMENSIONS ARE IN INCHES
 .XX = ±.0-
 .XXX = ±.00-
 .XXXX = ±.000-
 SURFACE FINISH ✓
 DO NOT SCALE DRAWING
 BREAK ALL SHARP EDGES AND
 REMOVE BURRS
 THIRD ANGLE PROJECTION

	NAME	DATE
DRAWN	RICA JANE ABING	07/11/2024
CHECKED	Kevin Roberts	
APPROVED		
MATERIAL	FINISH	
Galvanized Steel		

Roberts Ranch Hoophouses		
TITLE		
24' Wide Hoophouse Dimensioned Front View		
SIZE	DWG NO.	REV.
A	H24-3	C
SCALE	WEIGHT	SHEET
1:40		3 of 9

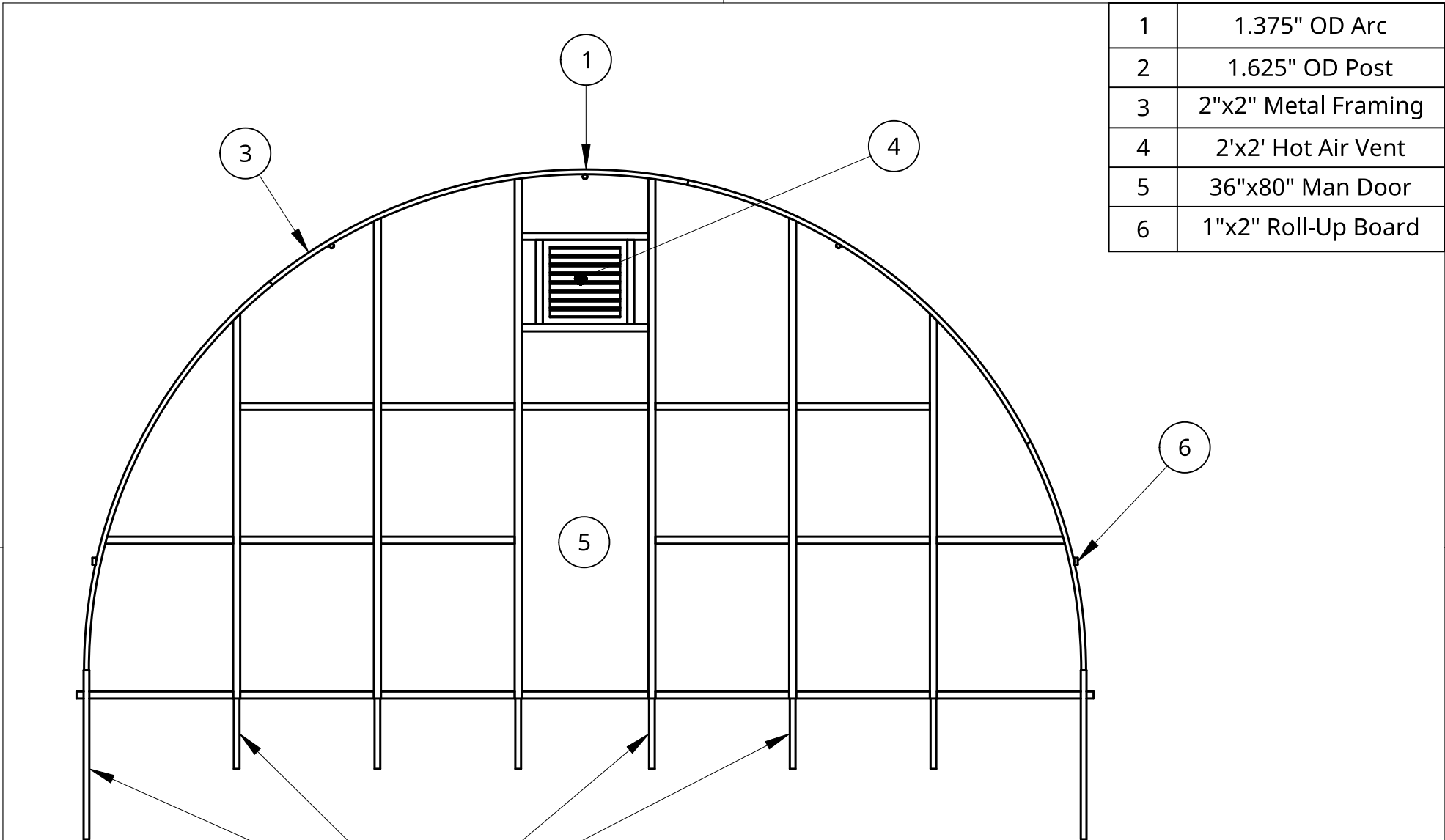
2

1



Wind Load - 65 MPH
 Snow Load - 30 PSF

UNLESS OTHERWISE SPECIFIED, DIMENSIONS ARE IN INCHES .XX = ±.0- .XXX = ±.00- .XXXX = ±.000- SURFACE FINISH		NAME	DATE	Roberts Ranch Hoophouses	
DO NOT SCALE DRAWING	DRAWN	RICA JANE ABING	08/08/2024	TITLE 8' x 8' Dual Bay Door Plan Details	
BREAK ALL SHARP EDGES AND REMOVE BURRS	CHECKED	Kevin Roberts			
THIRD ANGLE PROJECTION 	APPROVED				
	MATERIAL	FINISH		SIZE A	DWG NO. H24-4
	Galvanized Steel			SCALE 1:20	WEIGHT
				SHEET 4 of 9	REV. C



1	1.375" OD Arc
2	1.625" OD Post
3	2"x2" Metal Framing
4	2'x2' Hot Air Vent
5	36"x80" Man Door
6	1"x2" Roll-Up Board

Wind Load - 65 MPH
 Snow Load - 30 PSF

UNLESS OTHERWISE SPECIFIED,
 DIMENSIONS ARE IN INCHES
 .XX = ±.0-
 .XXX = ±.00-
 .XXXX = ±.000-
 SURFACE FINISH
 ANGULAR = ± °
 FRACTIONAL = ±

DO NOT SCALE DRAWING
 BREAK ALL SHARP EDGES AND
 REMOVE BURRS
 THIRD ANGLE PROJECTION

	NAME	DATE
DRAWN	RICA JANE ABING	07/22/2024
CHECKED	Kevin Roberts	
APPROVED		
MATERIAL	Galvanized Steel	FINISH

Roberts Ranch Hoopouses		
TITLE 24' Wide Hoopouse Back View & BOM		
SIZE A	DWG NO. H24-5	REV. C
SCALE 1:40	WEIGHT	SHEET 5 of 9

2

1

B

B

A

A

2

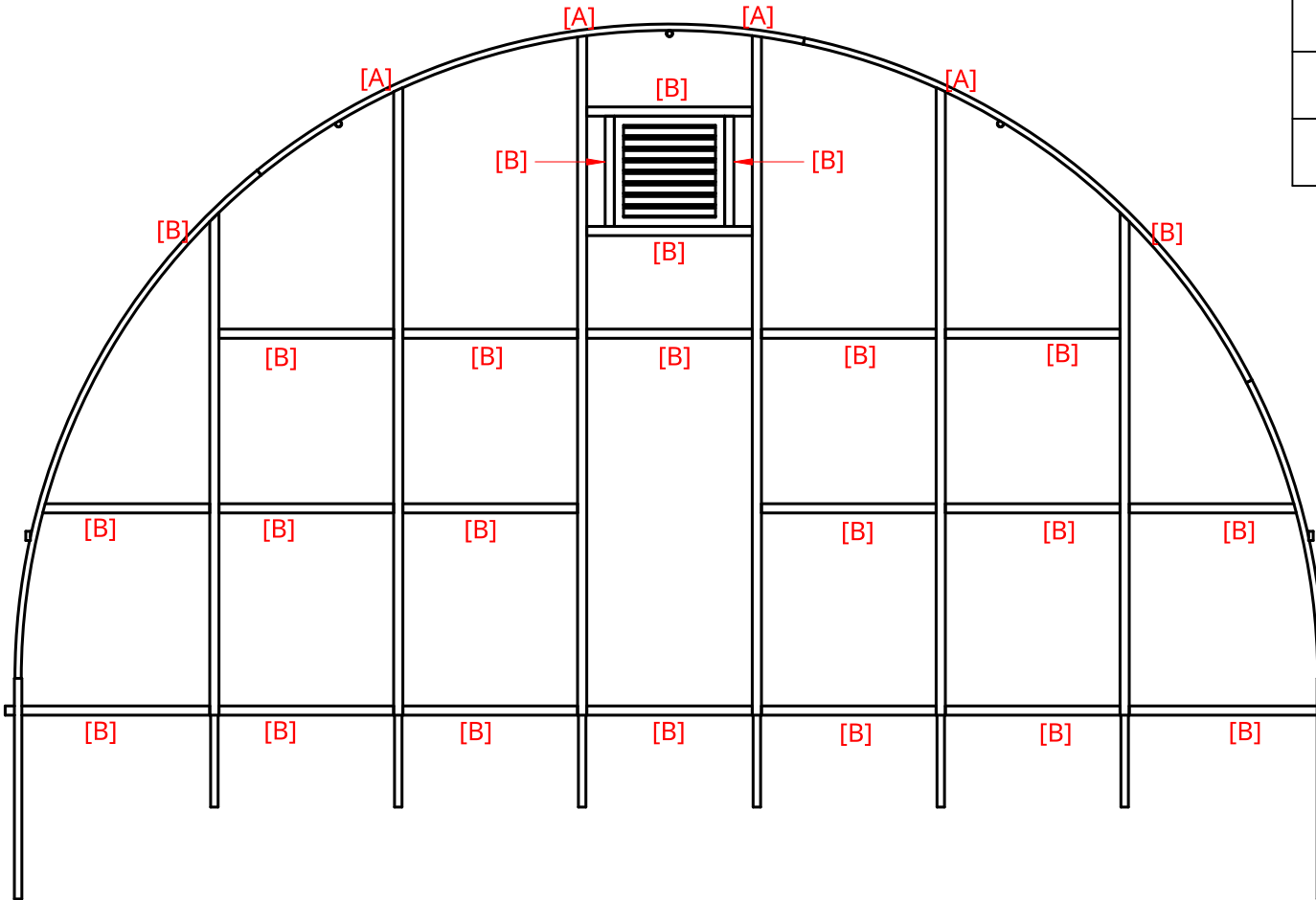
1

Metal Framing Detail

Item	Description
A, B	2"x2" Vertical Stud
B	2"x2" Horizontal Stud
B	2"x2" Base Frame
B	2"x2" Air Vent Frame

B

B



A

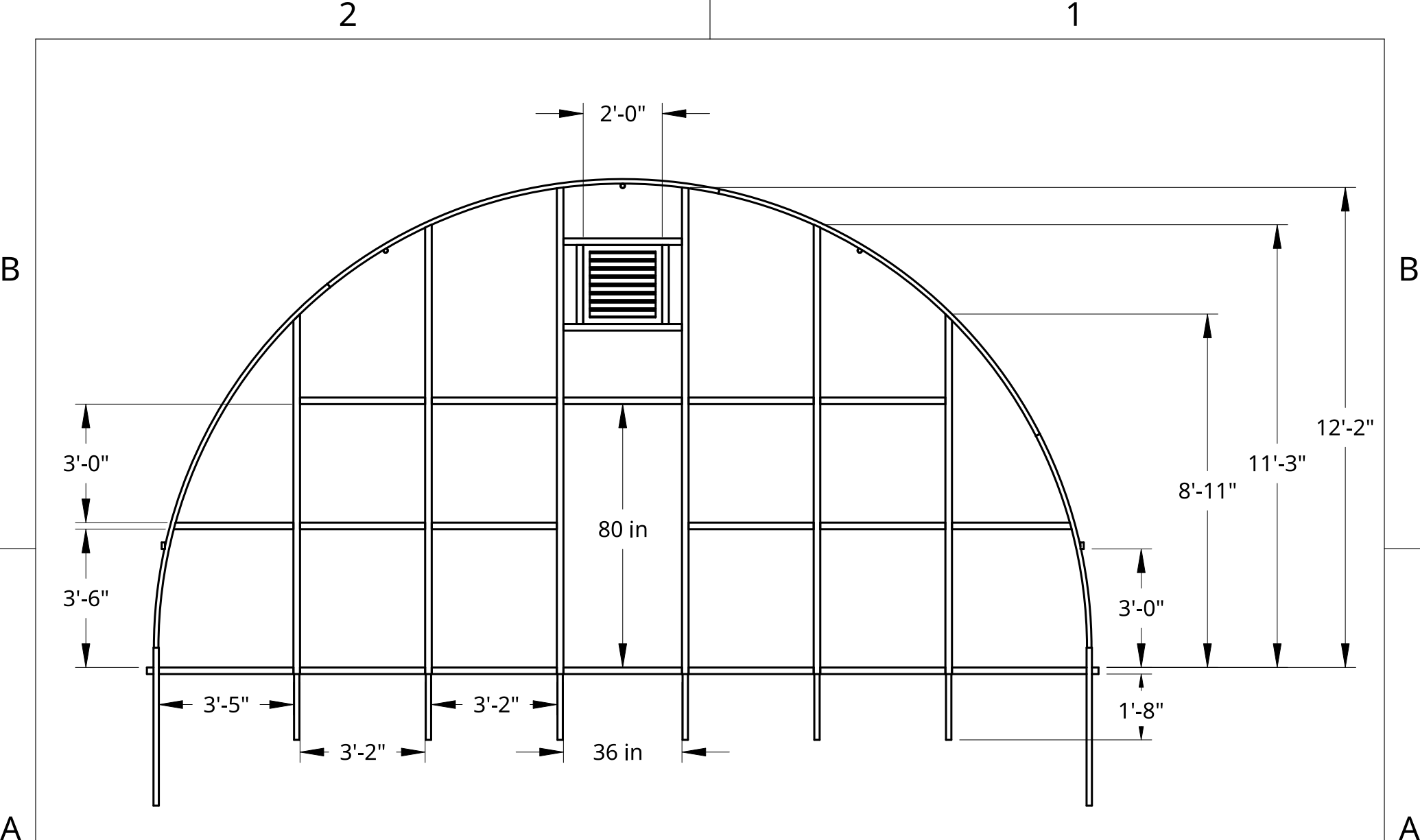
A

Wind Load - 65 MPH
Snow Load - 30 PSF

2

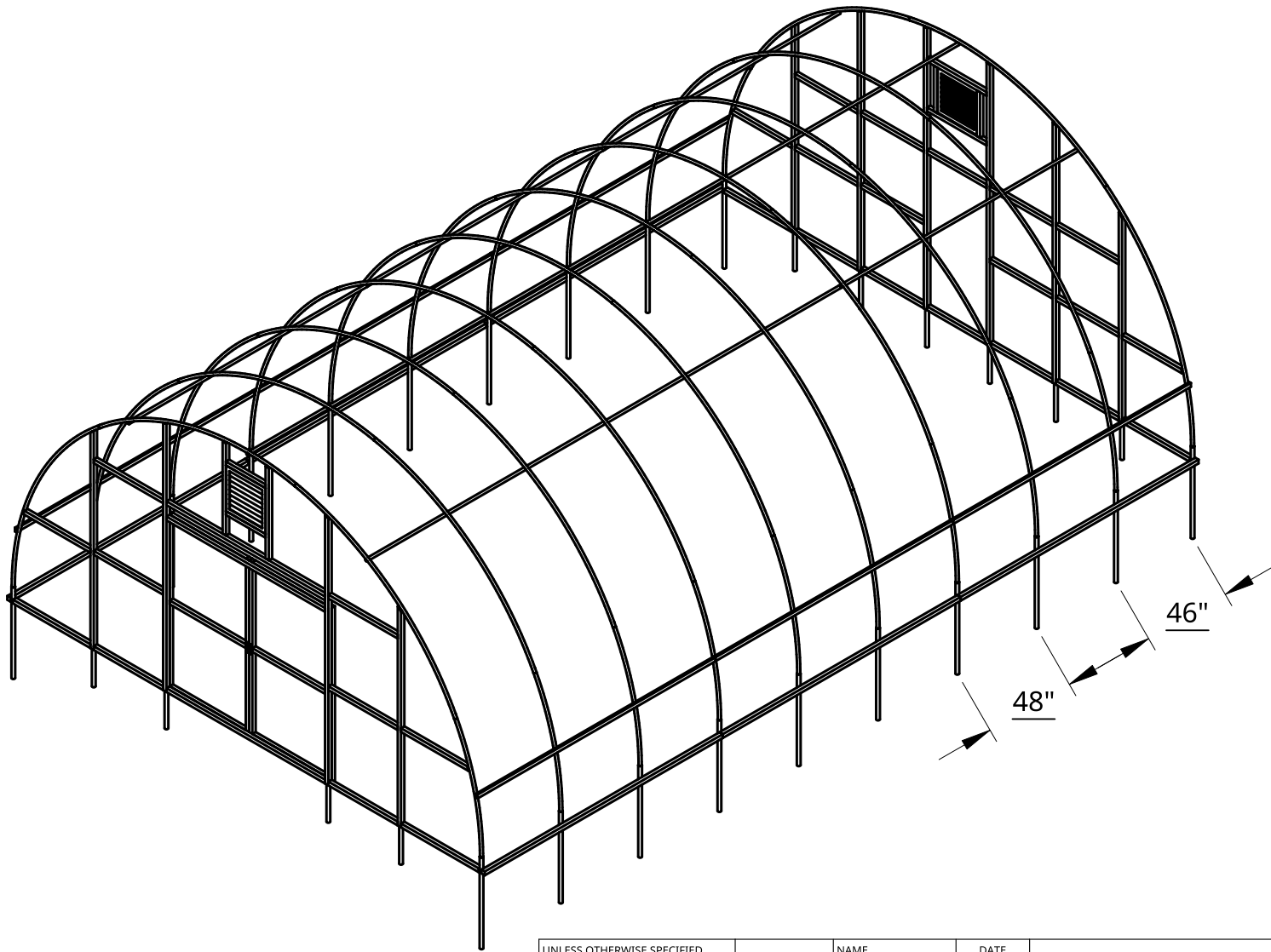
1

UNLESS OTHERWISE SPECIFIED, DIMENSIONS ARE IN INCHES .XX = ±.0- .XXX = ±.00- .XXXX = ±.000- SURFACE FINISH		NAME	DATE	Roberts Ranch Hoopouses	
DO NOT SCALE DRAWING	DRAWN	RICA JANE ABING	07/22/2024	TITLE 24' Wide Hoopouse Back View & BOM	
BREAK ALL SHARP EDGES AND REMOVE BURRS	CHECKED	Kevin Roberts			
THIRD ANGLE PROJECTION 	APPROVED				
	MATERIAL	FINISH	SIZE	DWG NO.	REV.
	Galvanized Steel		A	H24-6	C
			SCALE 1:40	WEIGHT	SHEET 6 of 9



Wind Load - 65 MPH
 Snow Load - 30 PSF

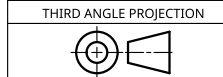
UNLESS OTHERWISE SPECIFIED, DIMENSIONS ARE IN INCHES .XX = ±.0- .XXX = ±.00- .XXXX = ±.000- SURFACE FINISH ✓ DO NOT SCALE DRAWING BREAK ALL SHARP EDGES AND REMOVE BURRS THIRD ANGLE PROJECTION		NAME RICA JANE ABING	DATE 07/22/2024	Roberts Ranch Hoophouses	
		CHECKED Kevin Roberts		TITLE 24' Wide Hoophouse Dimensioned Back View	
		APPROVED		SIZE A	REV. C
		MATERIAL Galvanized Steel	FINISH	DWG NO. H24-7	WEIGHT
				SCALE 1:40	SHEET 7 of 9



Wind Load - 65 MPH
 Snow Load - 30 PSF

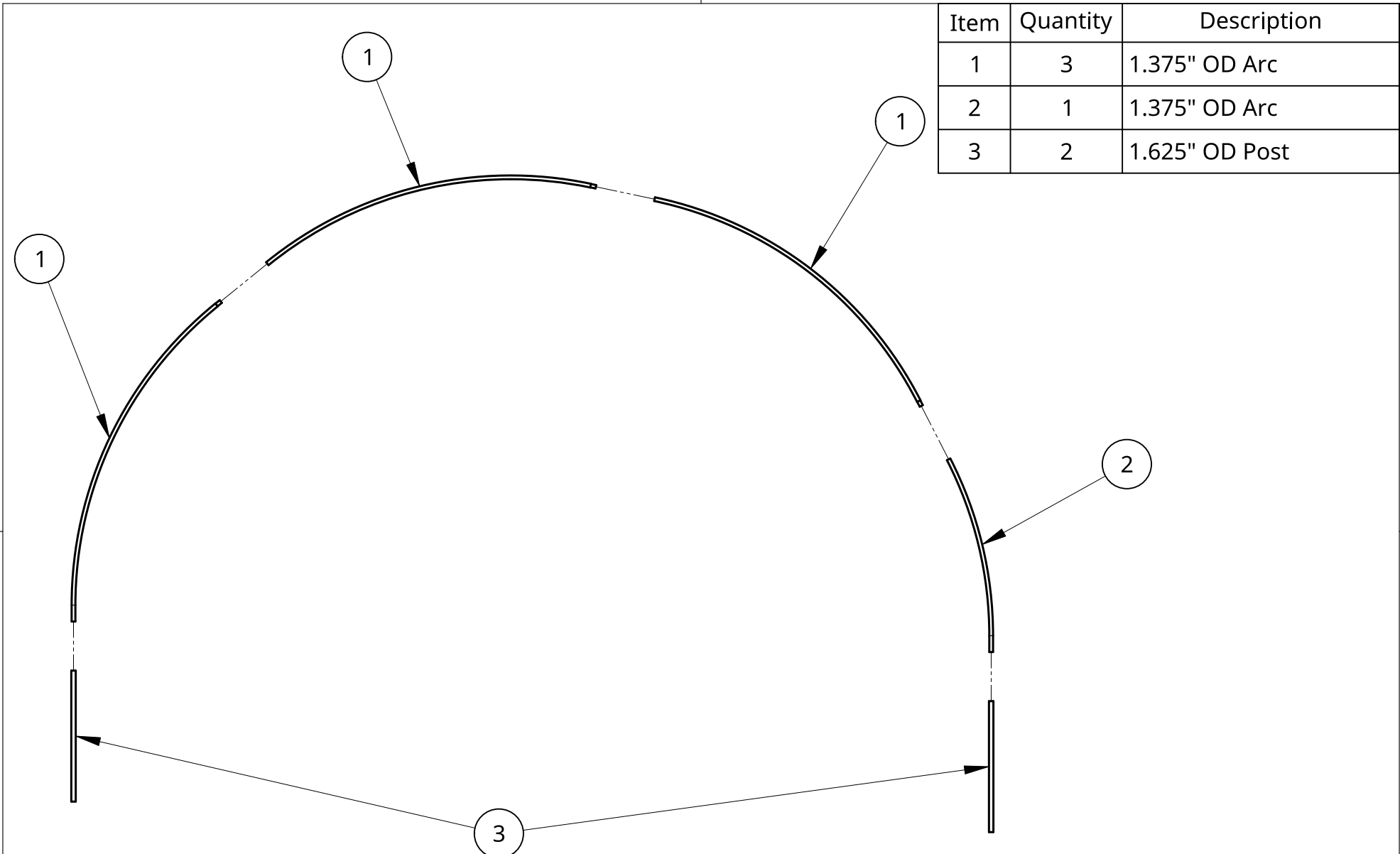
UNLESS OTHERWISE SPECIFIED,
 DIMENSIONS ARE IN INCHES
 .XX = ±.0-
 .XXX = ±.00-
 .XXXX = ±.000-
 SURFACE FINISH

DO NOT SCALE DRAWING
 BREAK ALL SHARP EDGES AND
 REMOVE BURRS



	NAME	DATE
DRAWN	RICA JANE ABING	07/22/2024
CHECKED	Kevin Roberts	
APPROVED		
MATERIAL	FINISH	
Galvanized Steel		

Roberts Ranch Hoopouses		
TITLE		
24' Wide Hoopouse Isometric View		
SIZE	DWG NO.	REV.
A	H24-8	C
SCALE	WEIGHT	SHEET
1:70		8 of 9



Item	Quantity	Description
1	3	1.375" OD Arc
2	1	1.375" OD Arc
3	2	1.625" OD Post

Wind Load - 65 MPH
Snow Load - 30 PSF

<small>UNLESS OTHERWISE SPECIFIED, DIMENSIONS ARE IN INCHES</small> .XX = ±.0- ANGULAR = ± ° .XXX = ±.00- FRACTIONAL = ± .XXXX = ±.000- SURFACE FINISH	DRAWN	RICA JANE ABING	07/17/2024
	CHECKED	Kevin Roberts	
	APPROVED		
	DO NOT SCALE DRAWING		
BREAK ALL SHARP EDGES AND REMOVE BURRS			
THIRD ANGLE PROJECTION	MATERIAL	FINISH	
	Galvanized Steel		

Roberts Ranch Hoophouses			
TITLE			
24' Wide Hoophouse Arch Exploded View			
SIZE	DWG NO.	REV.	
A	H24-9	C	
SCALE	WEIGHT	SHEET	
1:50		9 of 9	