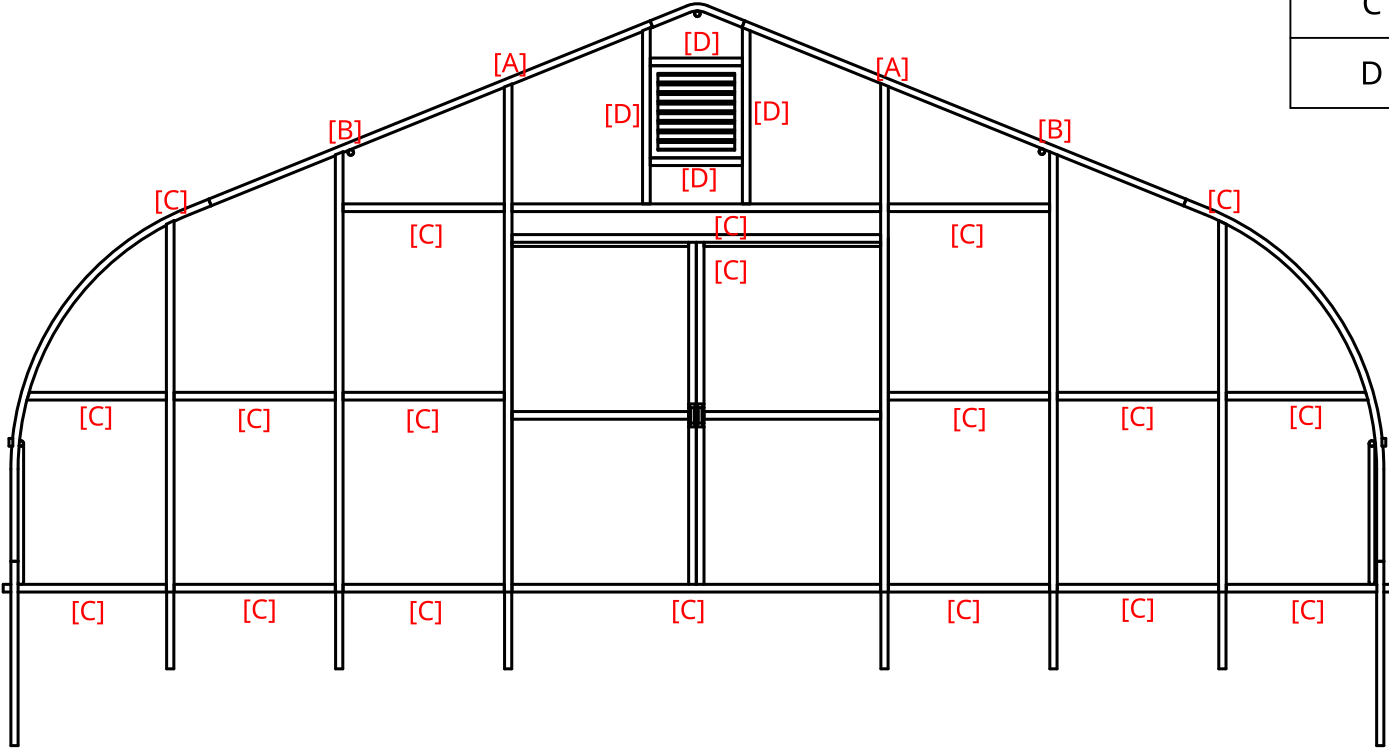


BOM	
Item	Description
1	1.875" OD Peak
2	1.875" OD Truss
3	1.875" OD Arc
4	1.875" OD Post
5	2"x2" Metal Framing
6	2'x2' Hot Air Vent
7	1.375" OD Brace
8	8' x 8' Bay Door
9	1"x2" Roll-Up Board
10	Bay Door Bottom Header

Wind Load - 65 MPH  
Snow Load - 30 PSF

UNLESS OTHERWISE SPECIFIED, DIMENSIONS ARE IN INCHES .XX = ±.0- .XXX = ±.00- .XXXX = ±.000- SURFACE FINISH <input checked="" type="checkbox"/>		NAME	DATE	Roberts Ranch Hoophouses	
DO NOT SCALE DRAWING	DRAWN	RICA ABING	03/13/2025	TITLE	
BREAK ALL SHARP EDGES AND REMOVE BURRS	CHECKED	Kevin Roberts		30' Wide Gothic Hightunnel Front View	
THIRD ANGLE PROJECTION	APPROVED	KEVIN ROBERTS		SIZE	REV. C
	MATERIAL	FINISH		A	
	Galvanized Steel			DWG NO.	G30-1
				SCALE	1:50
				WEIGHT	
				SHEET	1 of 9

Metal Framing Detail	
Item	Description
A, B, C	2"x2" Vertical Stud
C	2"x2" Horizontal Stud
C	2"x2" Base Frame
D	2"x2" Air Vent Frame



Wind Load - 65 MPH  
Snow Load - 30 PSF

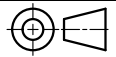
UNLESS OTHERWISE SPECIFIED,  
DIMENSIONS ARE IN INCHES  
.XX = ±.0-  
.XXX = ±.00-  
.XXXX = ±.000-  
ANGULAR = ± °  
FRACTIONAL = ±

SURFACE FINISH

DO NOT SCALE DRAWING

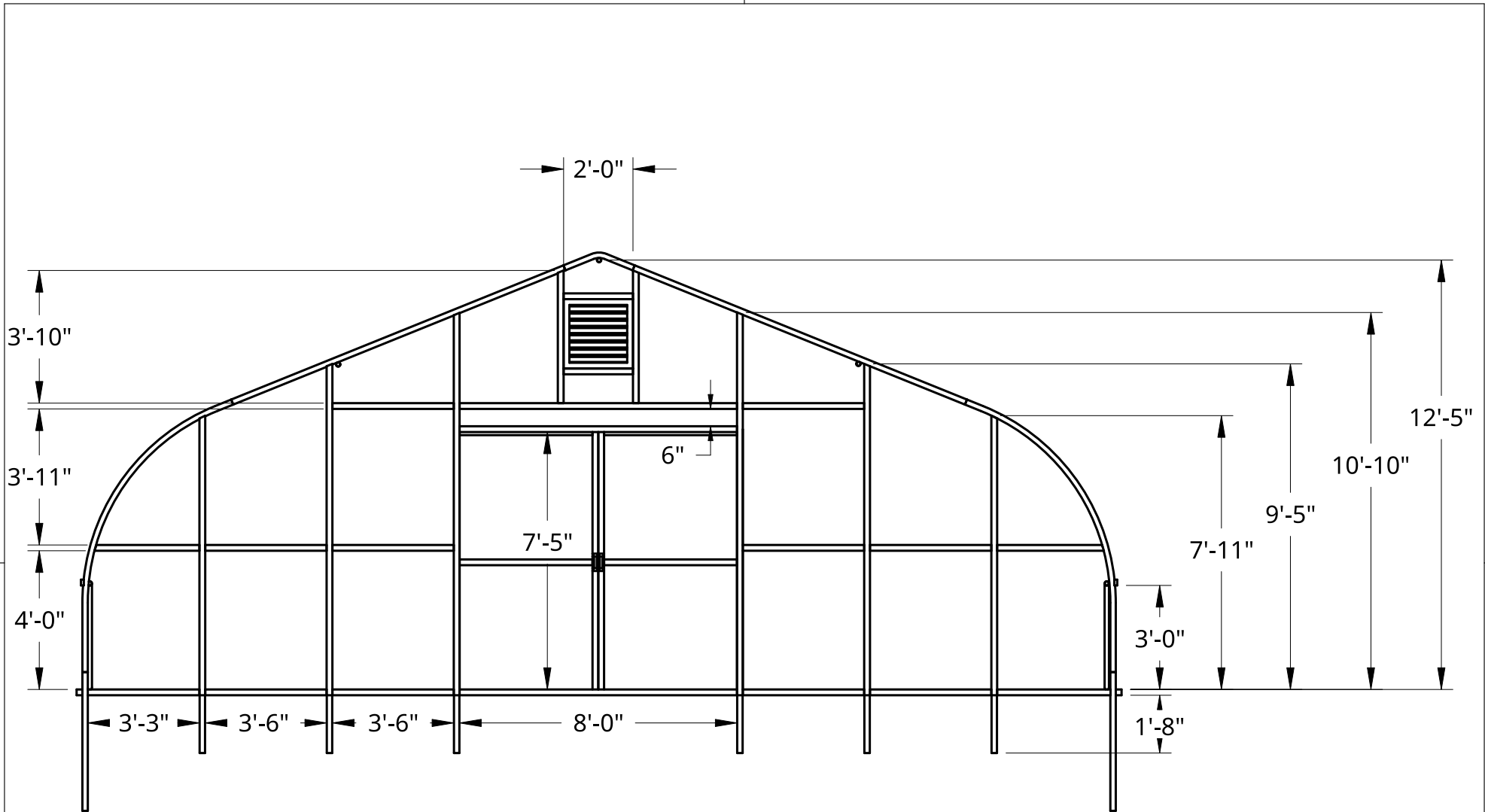
BREAK ALL SHARP EDGES AND REMOVE BURRS

THIRD ANGLE PROJECTION



	NAME	DATE
DRAWN	RICA ABING	03/13/2025
CHECKED	Kevin Roberts	
APPROVED	KEVIN ROBERTS	
MATERIAL	Galvanized Steel	FINISH

Roberts Ranch Hoophouses			
TITLE			
30' Wide Gothic Hightunnel Front View			
SIZE	DWG NO.	REV.	
A	G30-2	C	
SCALE	WEIGHT	SHEET	
1:50		2 of 9	



Wind Load - 65 MPH  
 Snow Load - 30 PSF

UNLESS OTHERWISE SPECIFIED,  
 DIMENSIONS ARE IN INCHES

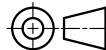
.XX = ±.0-  
 .XXX = ±.00-  
 .XXXX = ±.000-  
 ANGULAR = ± °  
 FRACTIONAL = ±

SURFACE FINISH

DO NOT SCALE DRAWING

BREAK ALL SHARP EDGES AND  
 REMOVE BURRS

THIRD ANGLE PROJECTION

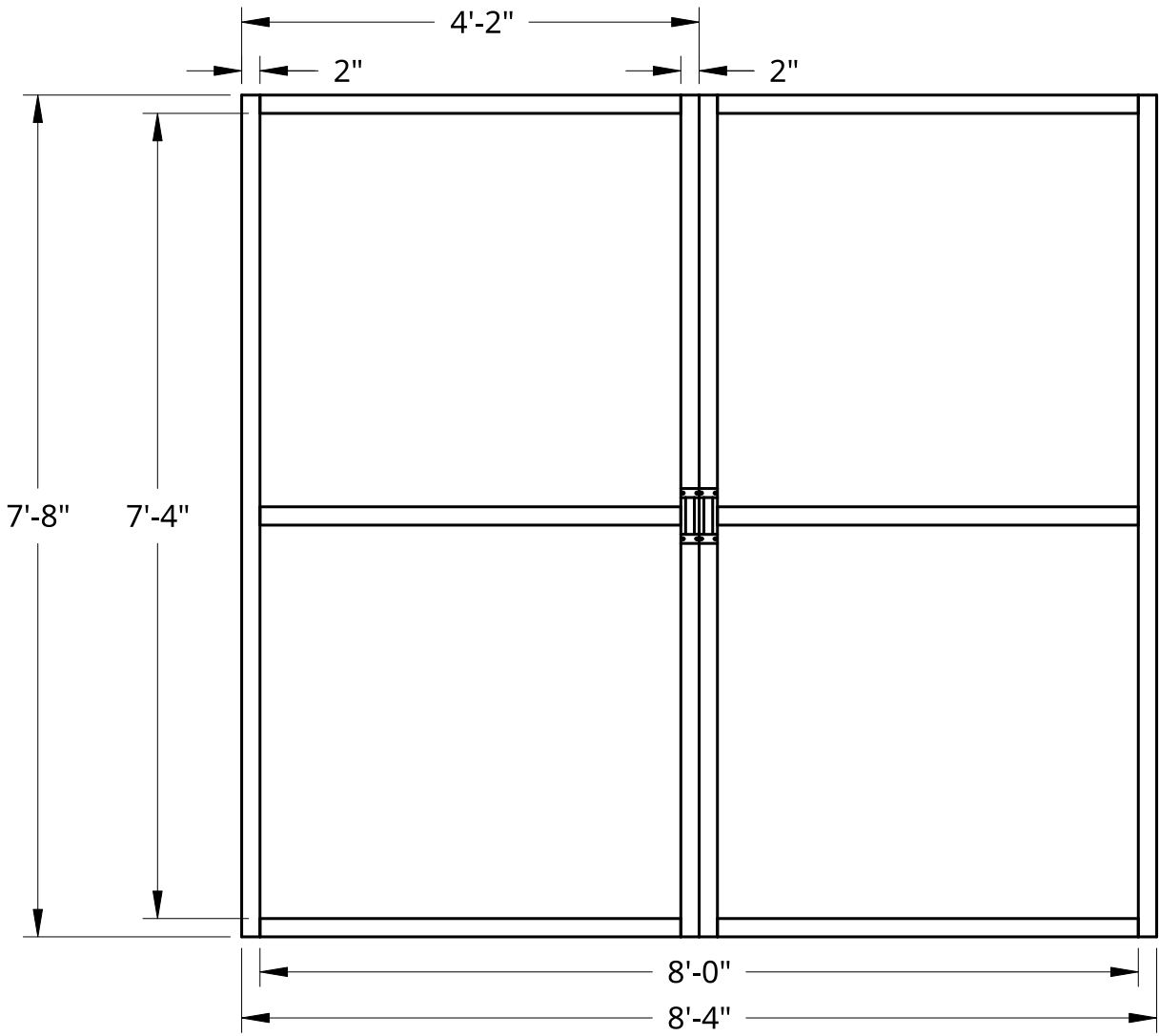


	NAME	DATE
DRAWN	Rica Abing	03/13/2025
CHECKED	Kevin Roberts	
APPROVED		
MATERIAL	Galvanized Steel	
FINISH		

Roberts Ranch Hoophouses			
TITLE			
30' Wide Gothic Hightunnel Dimensioned Front View			
SIZE	DWG NO.	REV.	
A	G30-3	A	
SCALE	WEIGHT	SHEET	
1:50		3 of 9	

B

B



A

A

UNLESS OTHERWISE SPECIFIED, DIMENSIONS ARE IN INCHES .XX = ±.0- .XXX = ±.00- .XXXX = ±.000-		NAME	DATE	Roberts Ranch Hoophouses	
ANGULAR = ± ° FRACTIONAL = ±	DRAWN	Rica Abing	08/07/2024	TITLE  Dual Bay Door Plan Details	
SURFACE FINISH	CHECKED	KEVIN ROBERTS			
DO NOT SCALE DRAWING	APPROVED				
BREAK ALL SHARP EDGES AND REMOVE BURRS				SIZE	DWG NO.
THIRD ANGLE PROJECTION	MATERIAL	FINISH		A	G30-4
	Galvanized Steel			REV.	A
				SCALE	1:20
				WEIGHT	
				SHEET	4 of 9

2

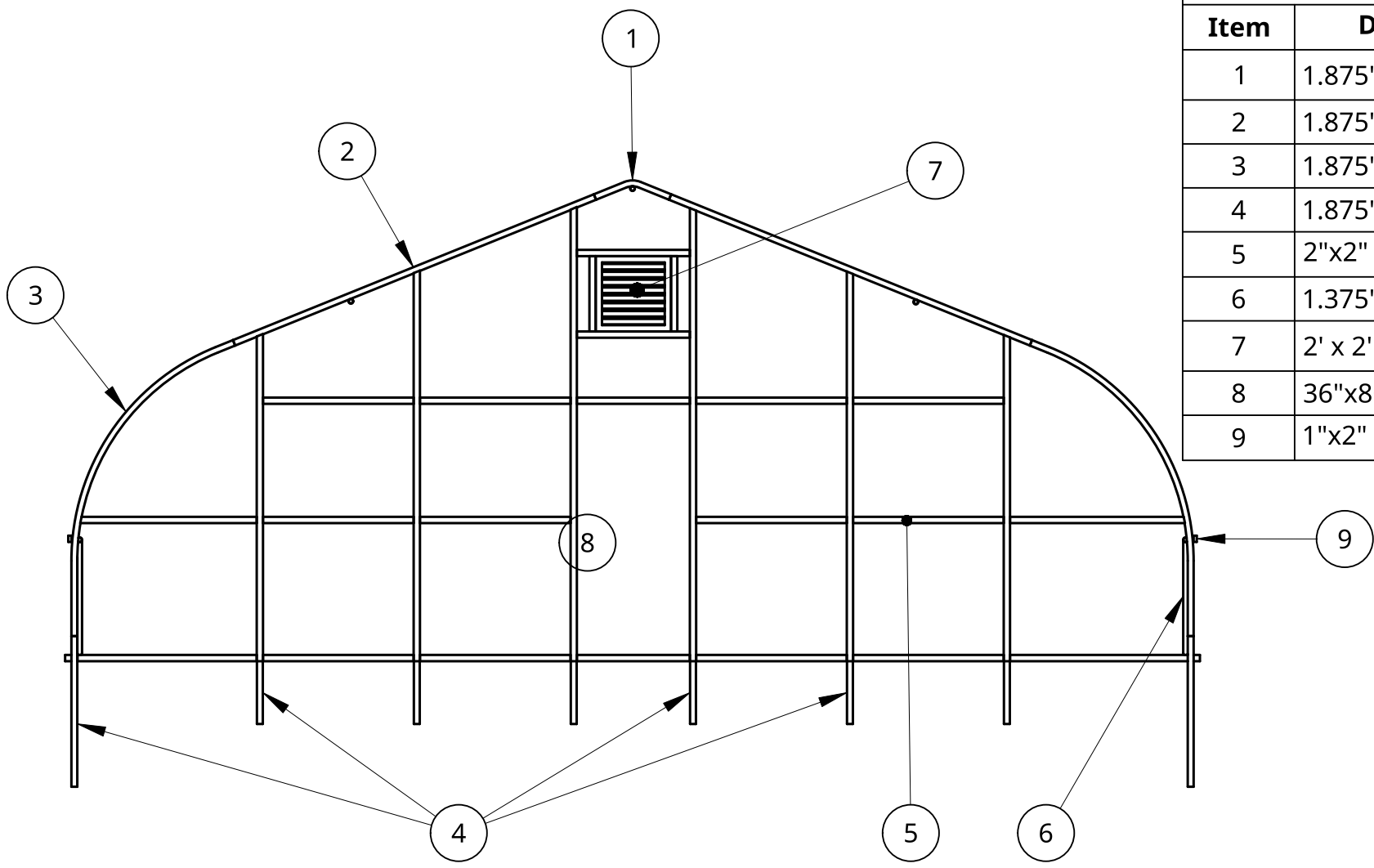
1

2

1

**BOM**

Item	Description
1	1.875" OD Peak
2	1.875" OD Truss
3	1.875" OD Arc
4	1.875" OD Post
5	2"x2" Metal Framing
6	1.375" OD Brace
7	2' x 2' Hot Air Vent
8	36"x80" Man Door
9	1"x2" Roll-Up Board



B

B

A

A

Wind Load - 65 MPH  
 Snow Load - 30 PSF

UNLESS OTHERWISE SPECIFIED, DIMENSIONS ARE IN INCHES .XX = ±.0- .XXX = ±.00- .XXXX = ±.000- SURFACE FINISH <input checked="" type="checkbox"/>		NAME	DATE	Roberts Ranch Hoophouses	
DO NOT SCALE DRAWING	DRAWN	RICA ABING	03/13/2025	TITLE 30' Wide Gothic Hightunnel Back View	
BREAK ALL SHARP EDGES AND REMOVE BURRS	CHECKED	Kevin Roberts			
THIRD ANGLE PROJECTION	APPROVED	KEVIN ROBERTS			
	MATERIAL	Galvanized Steel	FINISH	SIZE A	DWG NO. G30-5
				SCALE 1:50	REV. C
				WEIGHT	SHEET 5 of 9

2

1

2

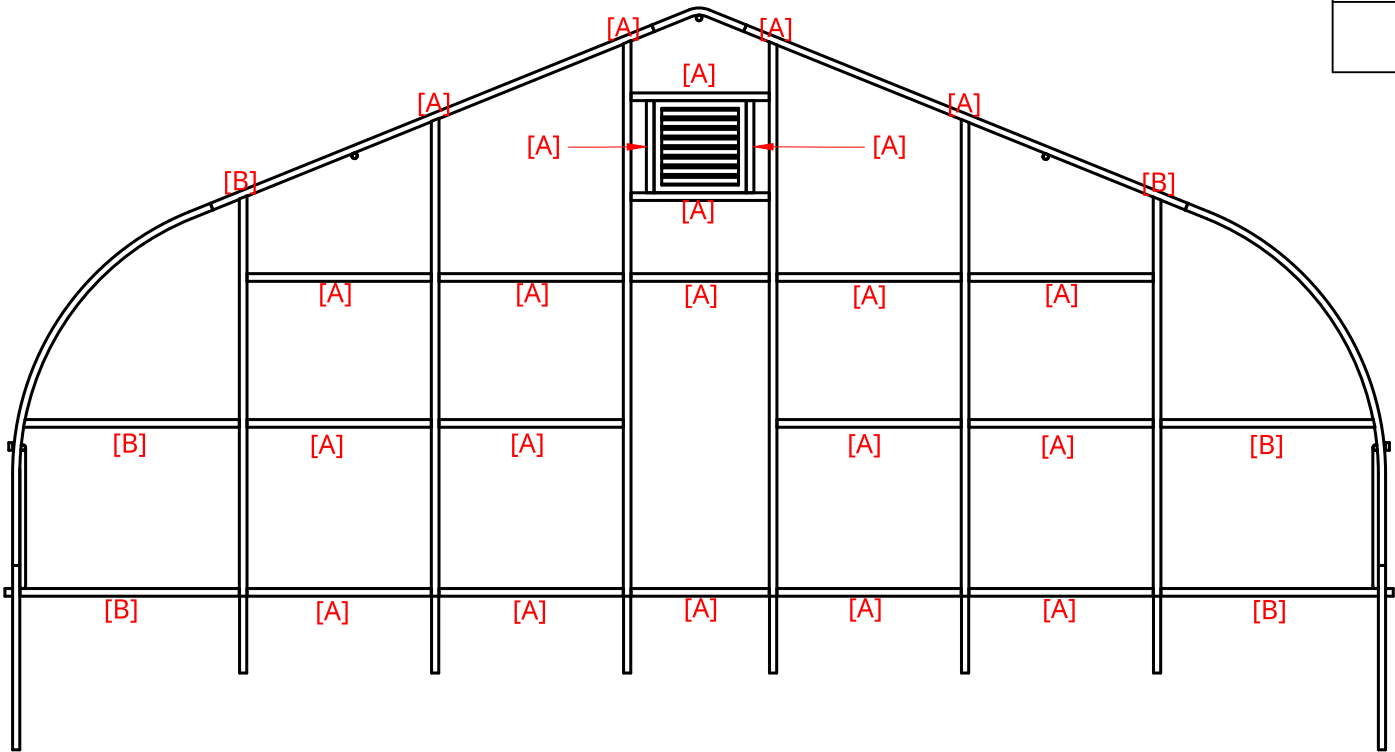
1

### Metal Framing Detail

Item	Description
A, B	2"x2" Vertical Stud
A, B	2"x2" Horizontal Stud
A, B	2"x2" Base Frame
A	2"x2" Air Vent Frame

B

B



A

A

Wind Load - 65 MPH  
 Snow Load - 30 PSF

UNLESS OTHERWISE SPECIFIED, DIMENSIONS ARE IN INCHES .XX = ±.0- .XXX = ±.00- .XXXX = ±.000- SURFACE FINISH ✓ DO NOT SCALE DRAWING BREAK ALL SHARP EDGES AND REMOVE BURRS THIRD ANGLE PROJECTION		NAME RICA ABING	DATE 03/13/2025	Roberts Ranch Hoopouses	
		CHECKED Kevin Roberts		TITLE 30' Wide Gothic Hightunnel Back View	
		APPROVED KEVIN ROBERTS		SIZE A	DWG NO. G30-6
MATERIAL Galvanized Steel		FINISH		REV. C	
		SCALE 1:50	WEIGHT	SHEET 6 of 9	

2

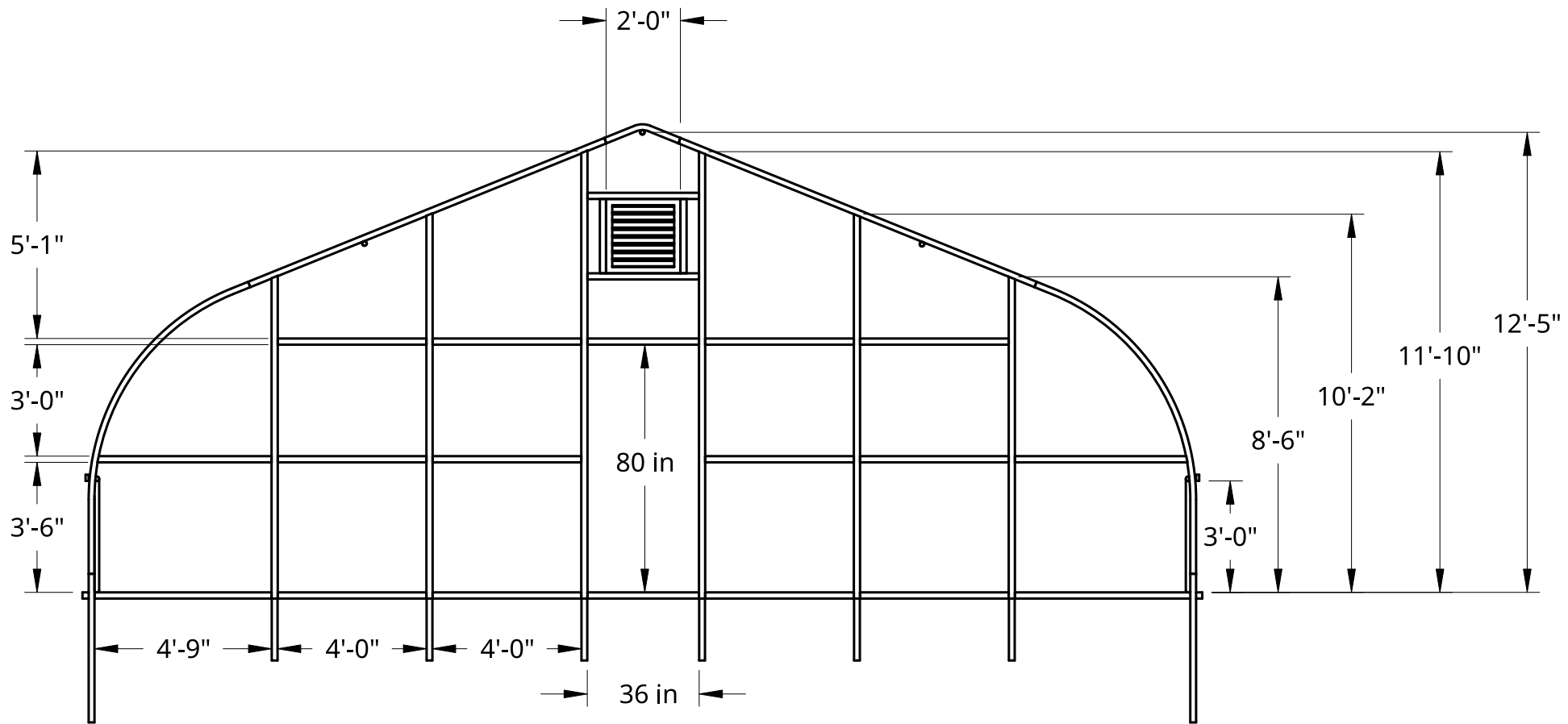
1

2

1

B

B



A

A

Wind Load - 65 MPH  
 Snow Load - 30 PSF

UNLESS OTHERWISE SPECIFIED, DIMENSIONS ARE IN INCHES .XX = ±.0- .XXX = ±.00- .XXXX = ±.000- SURFACE FINISH		NAME	DATE	Roberts Ranch Hoophouses	
DO NOT SCALE DRAWING	DRAWN	Rica Abing	03/13/2025	TITLE 30' Wide Gothic Hightunnel Dimensioned Back View	
BREAK ALL SHARP EDGES AND REMOVE BURRS	CHECKED	Kevin Roberts			
THIRD ANGLE PROJECTION 	APPROVED				
	MATERIAL	FINISH		SIZE	DWG NO.
	Galvanized Steel			A	G30-7
				SCALE	WEIGHT
				1:50	
				SHEET	REV.
				7 of 9	C

2

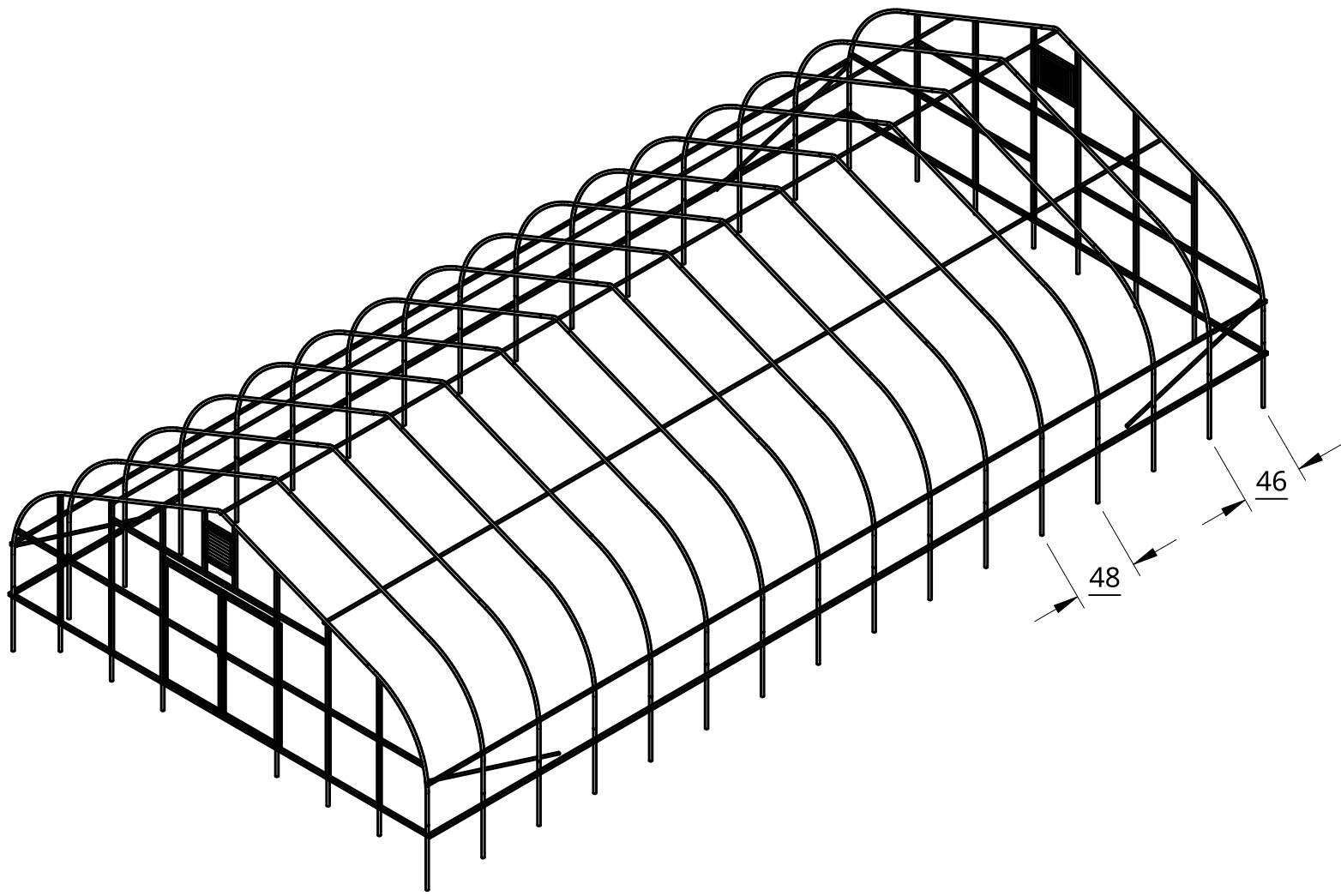
1

B

B

A

A



2

1

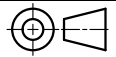
UNLESS OTHERWISE SPECIFIED,  
DIMENSIONS ARE IN INCHES  
.XX = ±.0-  
.XXX = ±.00-  
.XXXX = ±.000-  
ANGULAR = ± °  
FRACTIONAL = ±

SURFACE FINISH

DO NOT SCALE DRAWING

BREAK ALL SHARP EDGES AND REMOVE BURRS

THIRD ANGLE PROJECTION



	NAME	DATE
DRAWN	RICA ABING	03/13/2025
CHECKED	KEVIN ROBERTS	
APPROVED	Kevin Roberts	

MATERIAL	FINISH
Galvanized Steel	

Roberts Ranch Hoophouses		
TITLE		
30' Wide Gothic Hightunnel Isometric View		
SIZE	DWG NO.	REV.
A	G30-8	C
SCALE 1:100	WEIGHT	SHEET 8 of 9

Wind Load - 65 MPH  
Snow Load - 30 PSF

2

1



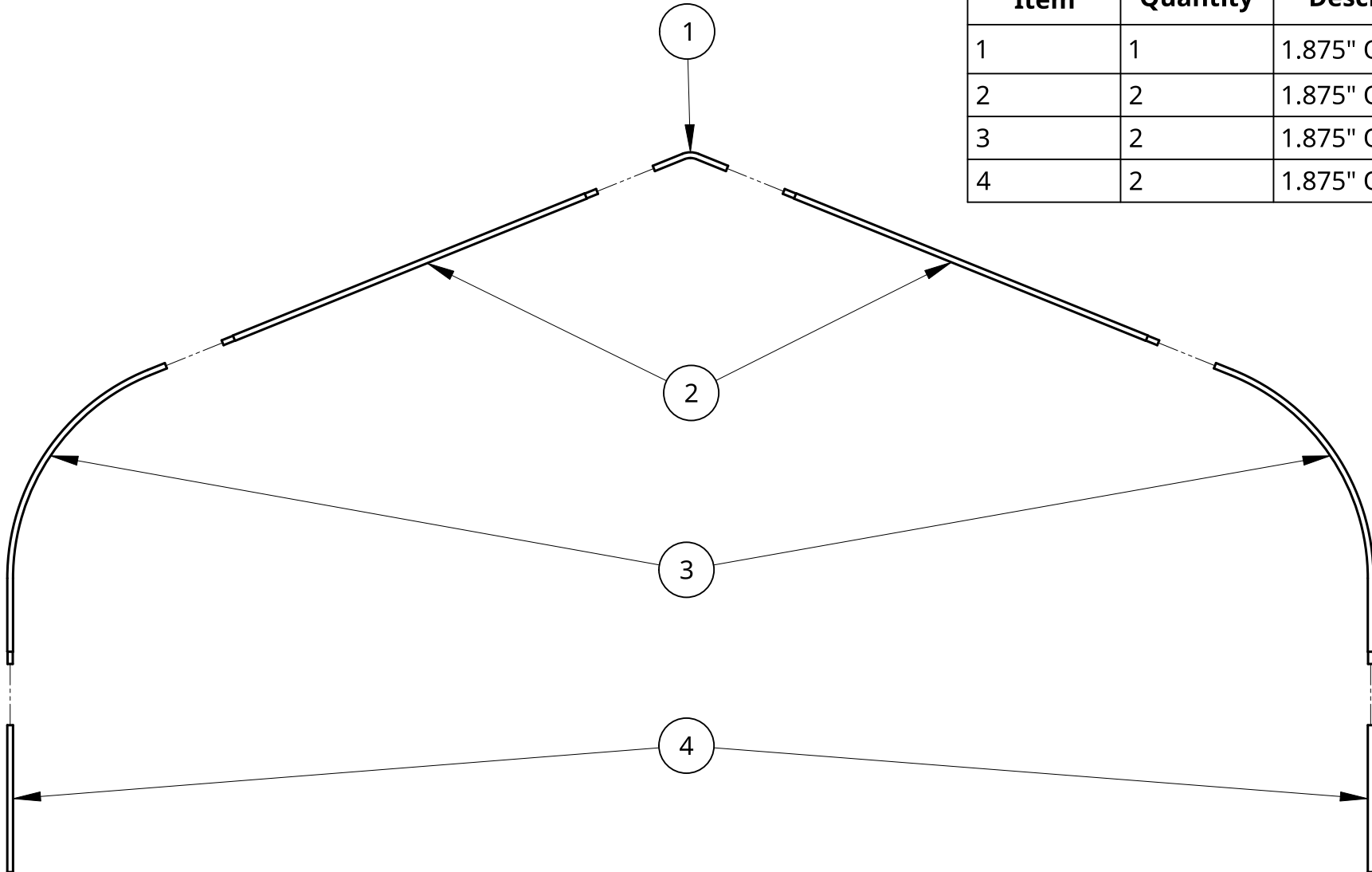
2

1

Item	Quantity	Description
1	1	1.875" OD Peak
2	2	1.875" OD Truss
3	2	1.875" OD Arc
4	2	1.875" OD Post

B

B



A

A

2

1

UNLESS OTHERWISE SPECIFIED, DIMENSIONS ARE IN INCHES .XX = ±.0- .XXX = ±.00- .XXXX = ±.000- SURFACE FINISH	DRAWN	Rica Abing	6/18/2024	Roberts Ranch Hoophouses	
	CHECKED	KEVIN ROBERTS			
	APPROVED			SIZE	DWG NO.
	DO NOT SCALE DRAWING				A
BREAK ALL SHARP EDGES AND REMOVE BURRS				SCALE	1:50
THIRD ANGLE PROJECTION	MATERIAL	FINISH		REV.	C
	Galvanized Steel			WEIGHT	
				SHEET	9 of 9