

1	1.875" OD Peak
2	1.875" OD Truss
3	1.875" OD Arc
4	1.875" OD Post
5	Wood Framing
6	2"x12" Dual Sliding Door Header
7	1.375" OD Brace
8	Hot Air Vent
9	8' x 8' Bay Door
10	1"x4" Roll-Up Board
11	1.375" OD Purlin

Wind Load - 65 MPH  
 Snow Load - 30 PSF

UNLESS OTHERWISE SPECIFIED, DIMENSIONS ARE IN INCHES .XX = ±.0- .XXX = ±.00- .XXXX = ±.000- SURFACE FINISH <input checked="" type="checkbox"/>		NAME		DATE		Roberts Ranch Hoopouses	
DO NOT SCALE DRAWING		DRAWN		RICA ABING		08/05/2024	
BREAK ALL SHARP EDGES AND REMOVE BURRS		CHECKED		KEVIN ROBERTS		TITLE	
THIRD ANGLE PROJECTION		APPROVED		KEVIN ROBERTS		30' Wide Gothic Hightunnel Front View	
MATERIAL		FINISH		SIZE		DWG NO.	
Galvanized Steel				A		G30-1	
				SCALE		WEIGHT	
				1:50		1 of 7	
				REV.		C	

2

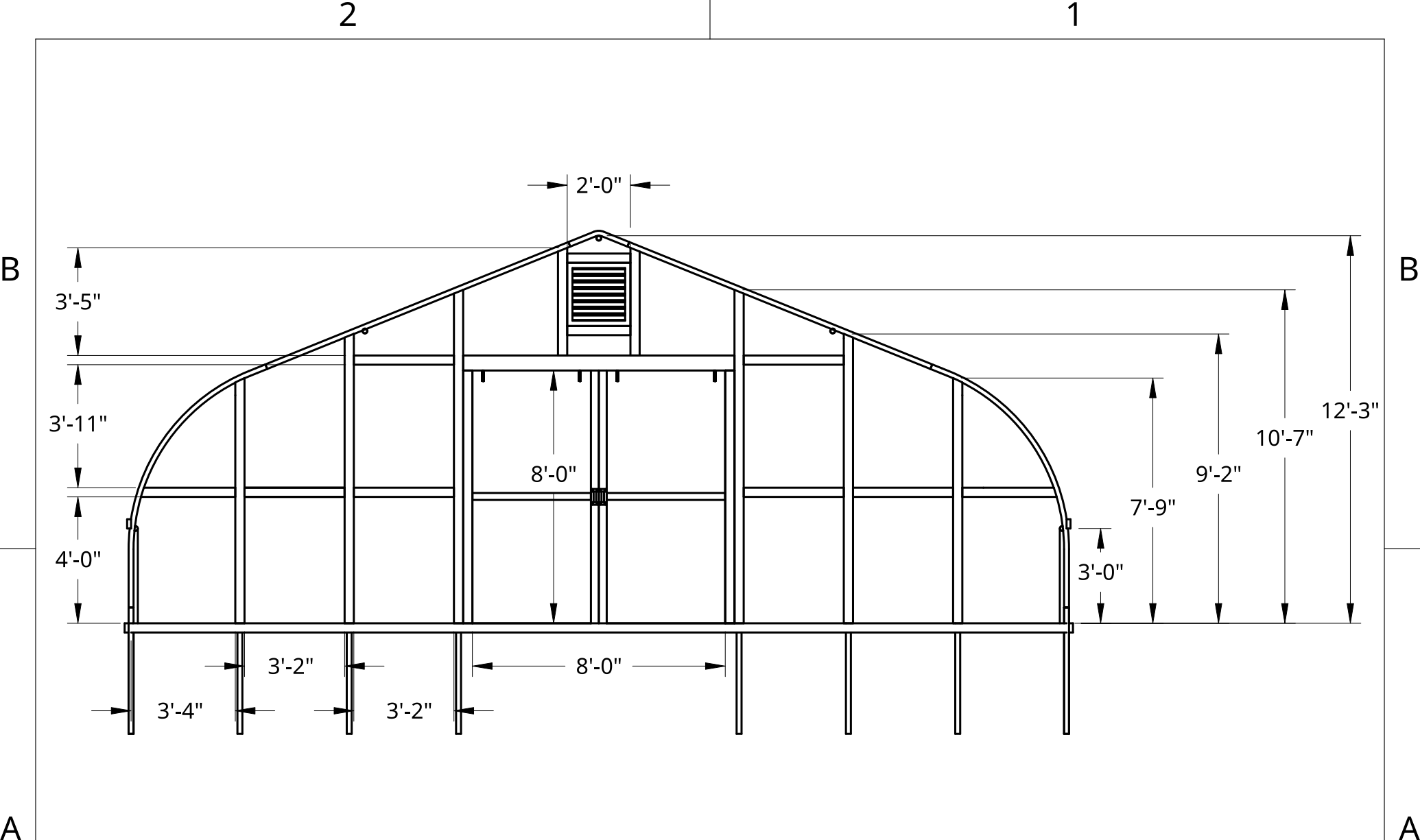
1

B

B

A

A

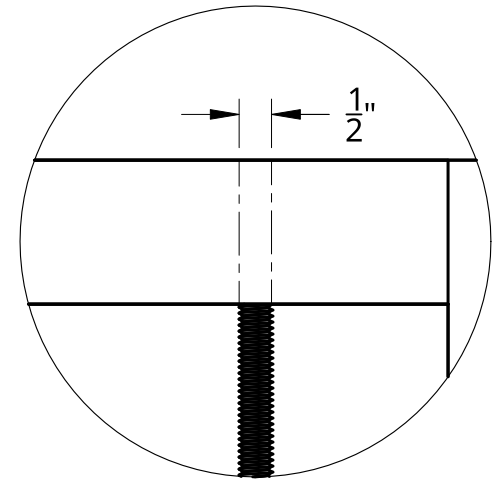
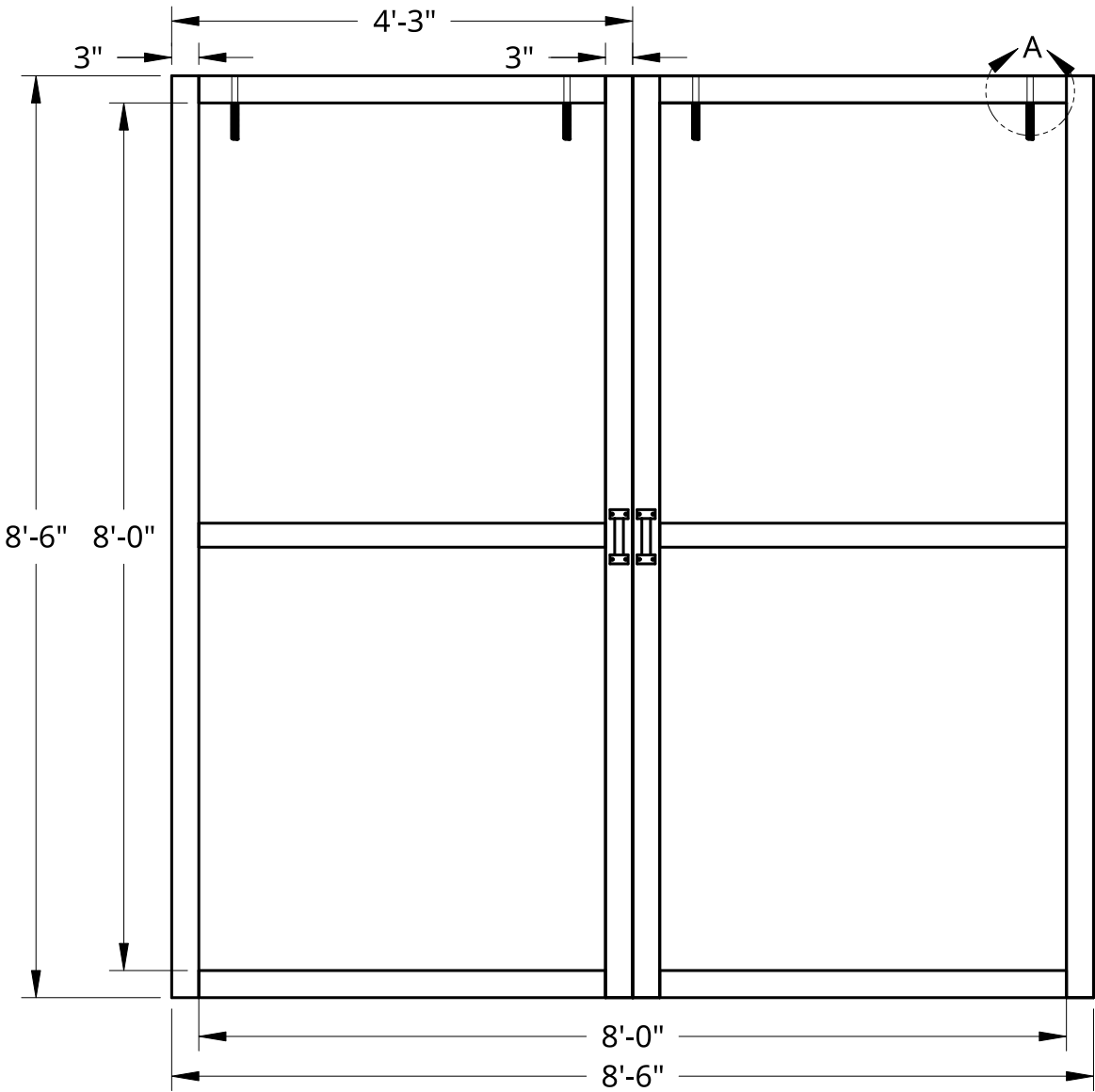


Wind Load - 65 MPH  
 Snow Load - 30 PSF

UNLESS OTHERWISE SPECIFIED, DIMENSIONS ARE IN INCHES .XX = ±.0- .XXX = ±.00- .XXXX = ±.000- SURFACE FINISH		NAME	DATE	Roberts Ranch Hoophouses	
DO NOT SCALE DRAWING	DRAWN	Rica Abing	08/05/2024	TITLE	
BREAK ALL SHARP EDGES AND REMOVE BURRS	CHECKED	KEVIN ROBERTS		30' Wide Gothic Hightunnel Dimensioned Front View	
THIRD ANGLE PROJECTION	APPROVED	E. Roberts	7/8/2021	SIZE	REV. C
	MATERIAL	Galvanized Steel		DWG. NO.	G30-2
	FINISH			SCALE	1:50
				WEIGHT	
				SHEET	2 of 7

2

1



DETAIL A  
1/2" Thread hole  
SCALE 1:4

B

B

A

A

UNLESS OTHERWISE SPECIFIED,  
DIMENSIONS ARE IN INCHES  
.XX = ±.0-  
.XXX = ±.00-  
.XXXX = ±.000-  
ANGULAR = ± °  
FRACTIONAL = ±

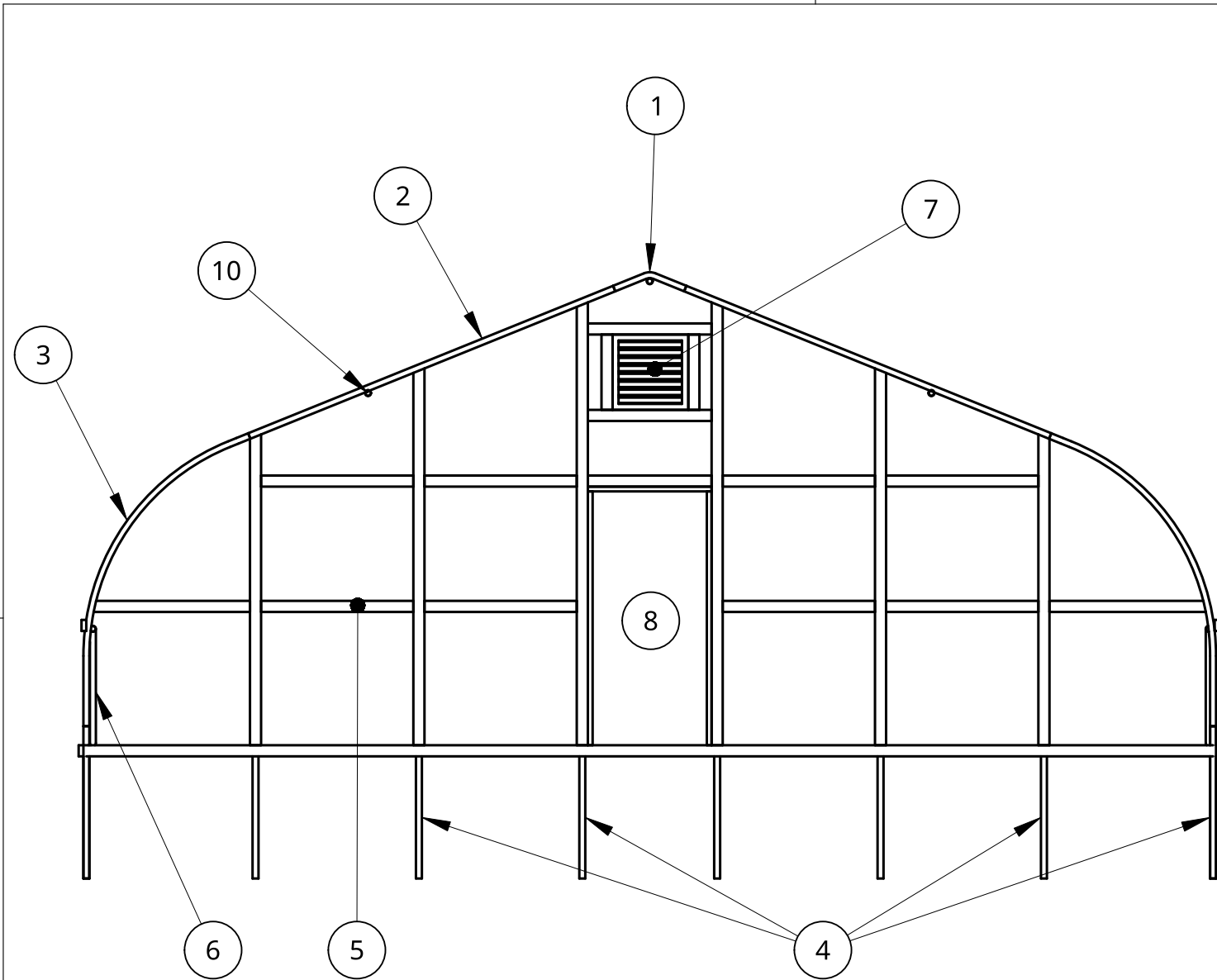
SURFACE FINISH    
DO NOT SCALE DRAWING  
BREAK ALL SHARP EDGES AND  
REMOVE BURRS  
THIRD ANGLE PROJECTION

	NAME	DATE
DRAWN	Rica Abing	08/05/2024
CHECKED	KEVIN ROBERTS	
APPROVED		
MATERIAL	FINISH	
Galvanized Steel		

Roberts Ranch Hoophouses		
TITLE Dual Door Blow-Up Plan & Details		
SIZE A	DWG NO. G30-3	REV. C
SCALE 1:50	WEIGHT	SHEET 3 of 7

2

1



1	1.875" OD Peak
2	1.875" OD Truss
3	1.875" OD Arc
4	1.875" OD Post
5	Wood Framing
6	1.375" OD Brace
7	Hot Air Vent
8	36"x80" Man Door
9	1"x4" Roll-Up Board
10	1.375" OD Purlin

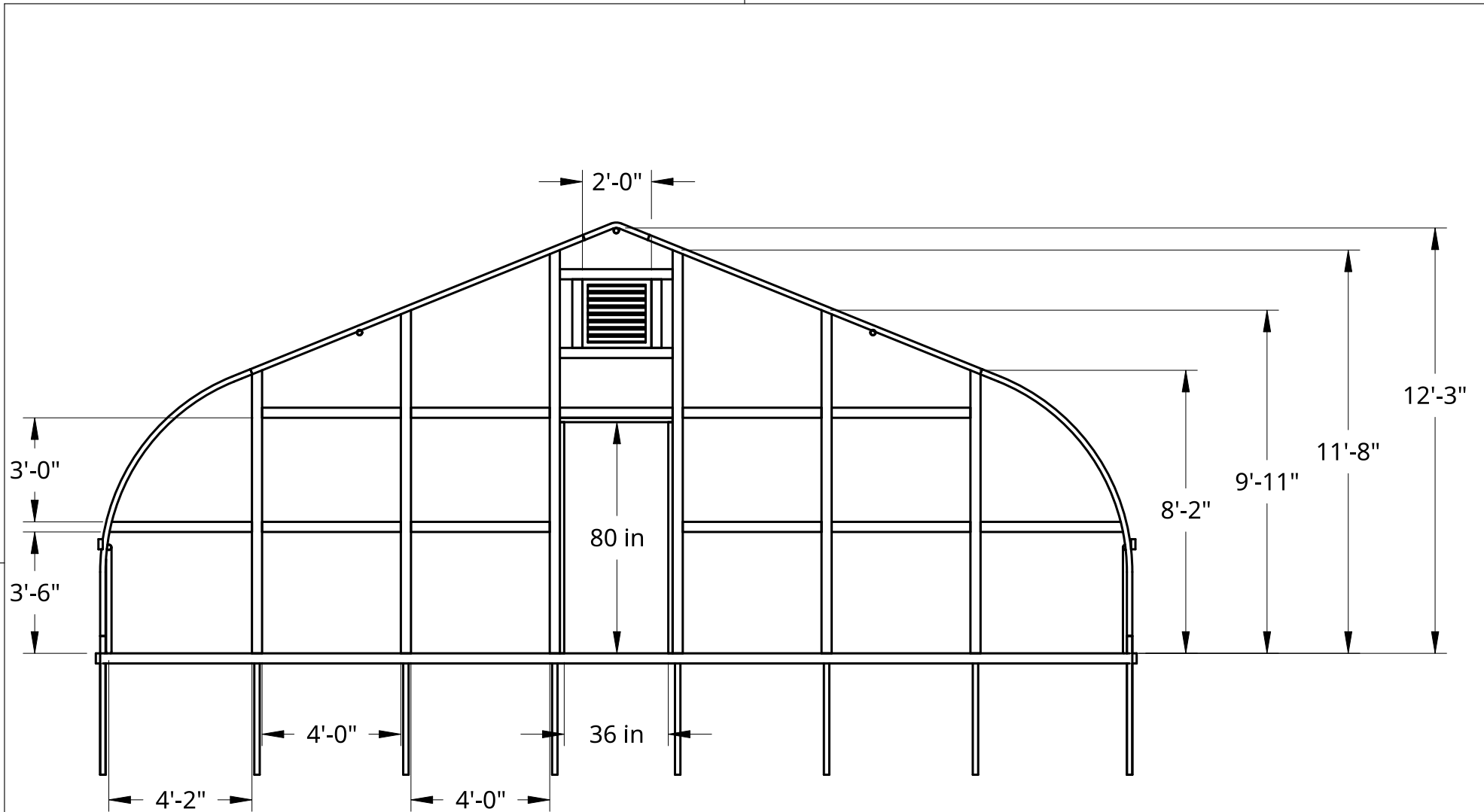
Wind Load - 65 MPH  
Snow Load - 30 PSF

UNLESS OTHERWISE SPECIFIED,  
DIMENSIONS ARE IN INCHES  
.XX = ±.0-  
.XXX = ±.00-  
.XXXX = ±.000-  
ANGULAR = ± °  
FRACTIONAL = ±

SURFACE FINISH ✓  
DO NOT SCALE DRAWING  
BREAK ALL SHARP EDGES AND REMOVE BURRS  
THIRD ANGLE PROJECTION

	NAME	DATE
DRAWN	RICA ABING	08/02/2024
CHECKED	KEVIN ROBERTS	
APPROVED	E. Roberts	7/8/2021
MATERIAL	Galvanized Steel	FINISH

Roberts Ranch Hoophouses		
TITLE 30' Wide Gothic Hightunnel Back View		
SIZE A	DWG NO. G30-4	REV. C
SCALE 1:50	WEIGHT	SHEET 4 of 7



Wind Load - 65 MPH  
 Snow Load - 30 PSF

UNLESS OTHERWISE SPECIFIED,  
 DIMENSIONS ARE IN INCHES  
 .XX = ±.0-  
 .XXX = ±.00-  
 .XXXX = ±.000-  
 SURFACE FINISH

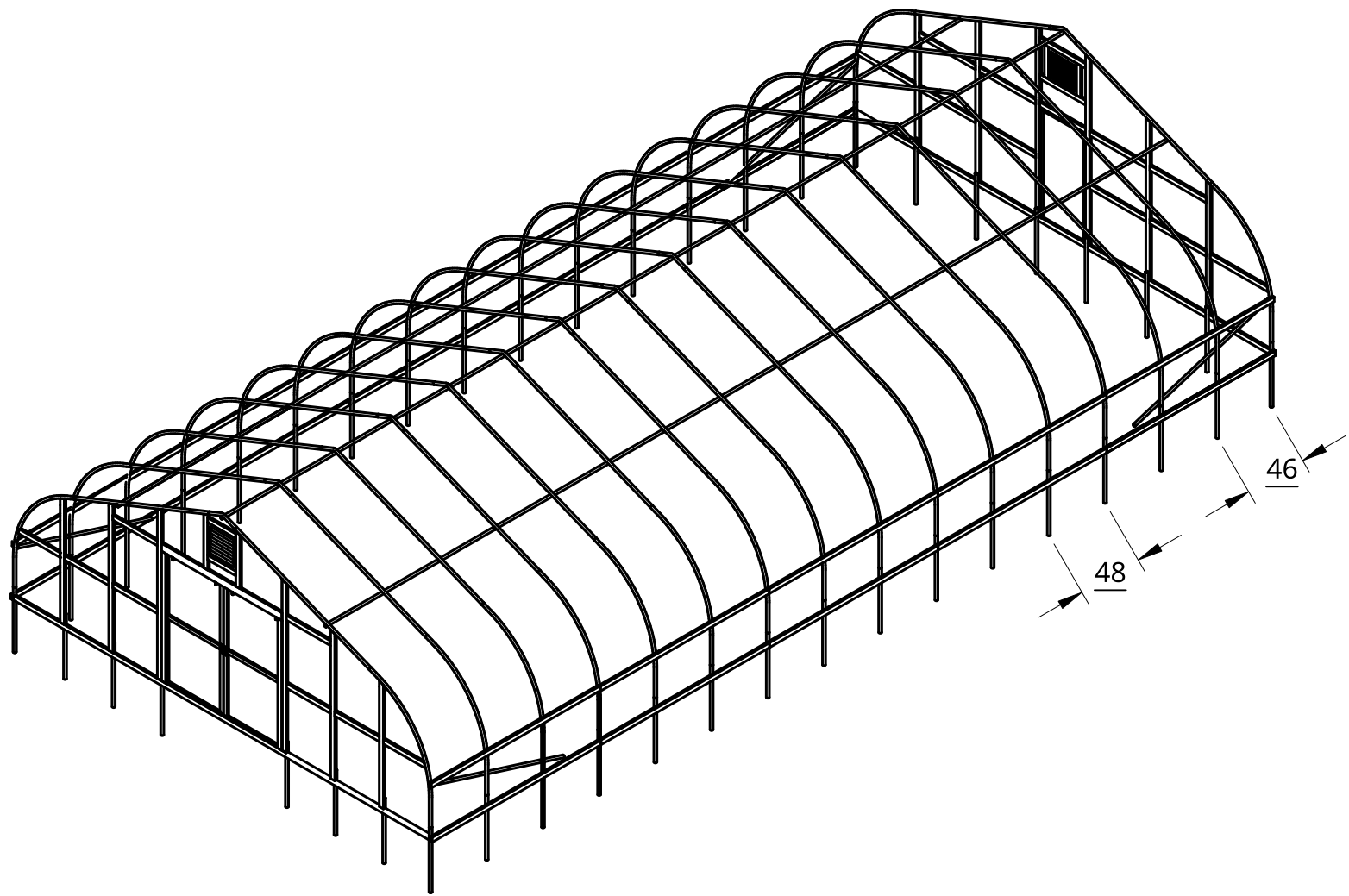
DO NOT SCALE DRAWING  
 BREAK ALL SHARP EDGES AND  
 REMOVE BURRS

THIRD ANGLE PROJECTION

	NAME	DATE
DRAWN	Rica Abing	08/02/2024
CHECKED	KEVIN ROBERTS	06/30/2021
APPROVED	E. Roberts	7/8/2021

MATERIAL	FINISH
Galvanized Steel	

Roberts Ranch Hoophouses			
TITLE 30' Wide Gothic Hightunnel Dimensioned Back View			
SIZE A	DWG NO. G30-5	REV. C	
SCALE 1:50	WEIGHT	SHEET 5 of 7	



Wind Load - 65 MPH  
 Snow Load - 30 PSF

UNLESS OTHERWISE SPECIFIED, DIMENSIONS ARE IN INCHES .XX = ±.0- .XXX = ±.00- .XXXX = ±.000- SURFACE FINISH		NAME	DATE	Roberts Ranch Hoophouses	
DO NOT SCALE DRAWING	DRAWN	RICA ABING	08/05/2024	TITLE 30' Wide Gothic Hightunnel Isometric View	
BREAK ALL SHARP EDGES AND REMOVE BURRS	CHECKED	KEVIN ROBERTS			
THIRD ANGLE PROJECTION 	APPROVED				
	MATERIAL	FINISH		SIZE	DWG NO.
	Galvanized Steel			A	G30-6
				SCALE	WEIGHT
				1:100	
				SHEET	REV.
				6 of 7	C

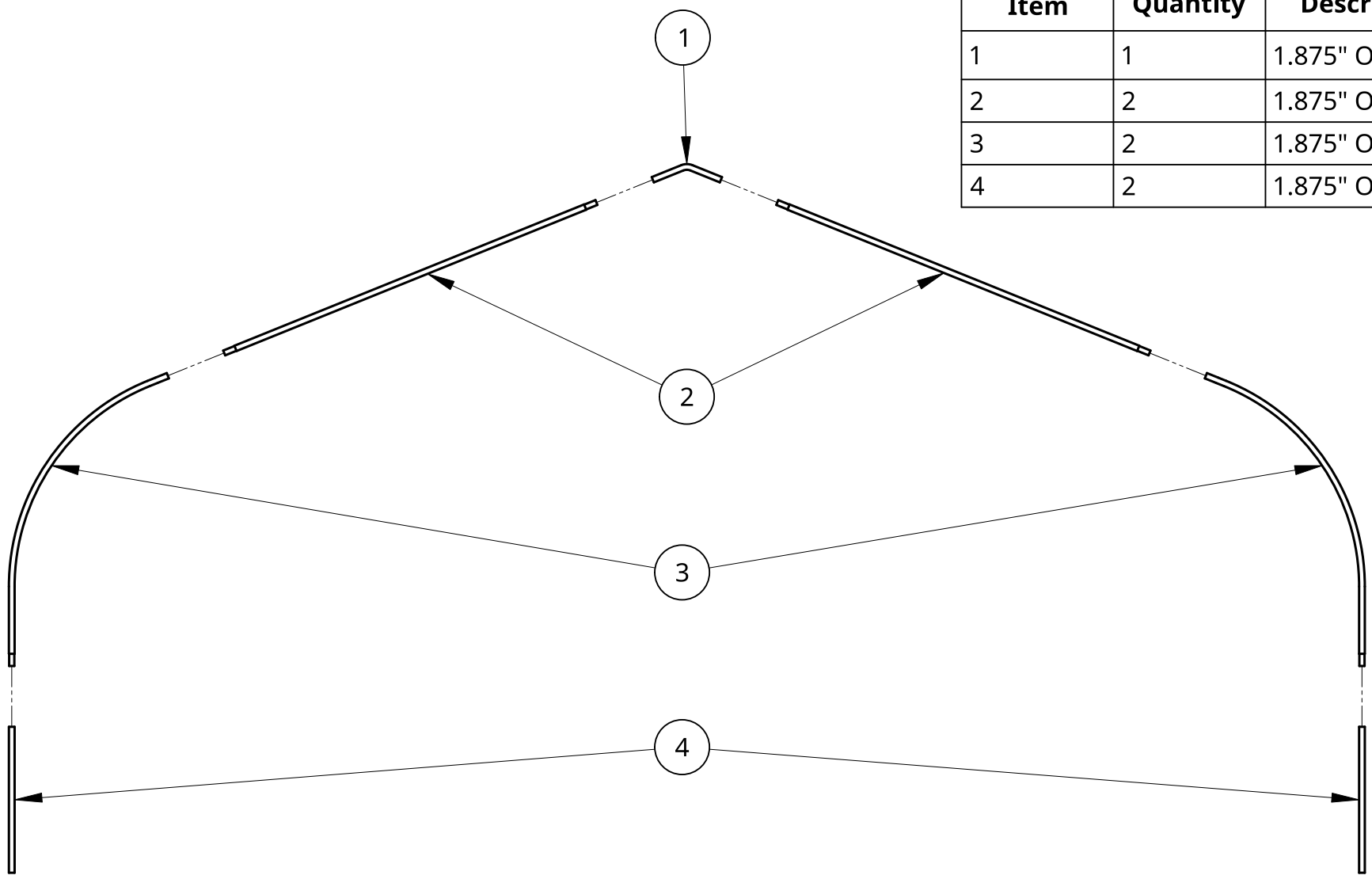
2

1

Item	Quantity	Description
1	1	1.875" OD Peak
2	2	1.875" OD Truss
3	2	1.875" OD Arc
4	2	1.875" OD Post

B

B



A

A

2

1

UNLESS OTHERWISE SPECIFIED, DIMENSIONS ARE IN INCHES .XX = ±.0- .XXX = ±.00- .XXXX = ±.000- SURFACE FINISH		NAME	DATE	Roberts Ranch Hoophouses	
	DRAWN	Rica Abing	6/18/2024		
	CHECKED	KEVIN ROBERTS			
	APPROVED				
DO NOT SCALE DRAWING				SIZE	A
BREAK ALL SHARP EDGES AND REMOVE BURRS				DWG NO.	G30-7
THIRD ANGLE PROJECTION	MATERIAL	FINISH		REV.	C
	Galvanized Steel			SCALE	1:50
				WEIGHT	
				SHEET	7 of 7