

|    |                                 |
|----|---------------------------------|
| 1  | 1.875" OD Peak                  |
| 2  | 1.625" OD Truss                 |
| 3  | 1.625" OD Arc                   |
| 4  | 1.625" OD Post                  |
| 5  | 2"x4" Wood Framing              |
| 6  | 2"x12" Dual Sliding Door Header |
| 7  | 2'x2' Hot Air Vent              |
| 8  | 7'x7' Bay Door                  |
| 9  | 1"x4" Roll-Up Board             |
| 10 | 1.375" OD Purlin                |

Wind Load - 65 MPH  
 Snow Load - 30 PSF

UNLESS OTHERWISE SPECIFIED,  
 DIMENSIONS ARE IN INCHES

.XX = ±.0-  
 .XXX = ±.00-  
 .XXXX = ±.000-

ANGULAR = ± °  
 FRACTIONAL = ±

SURFACE FINISH

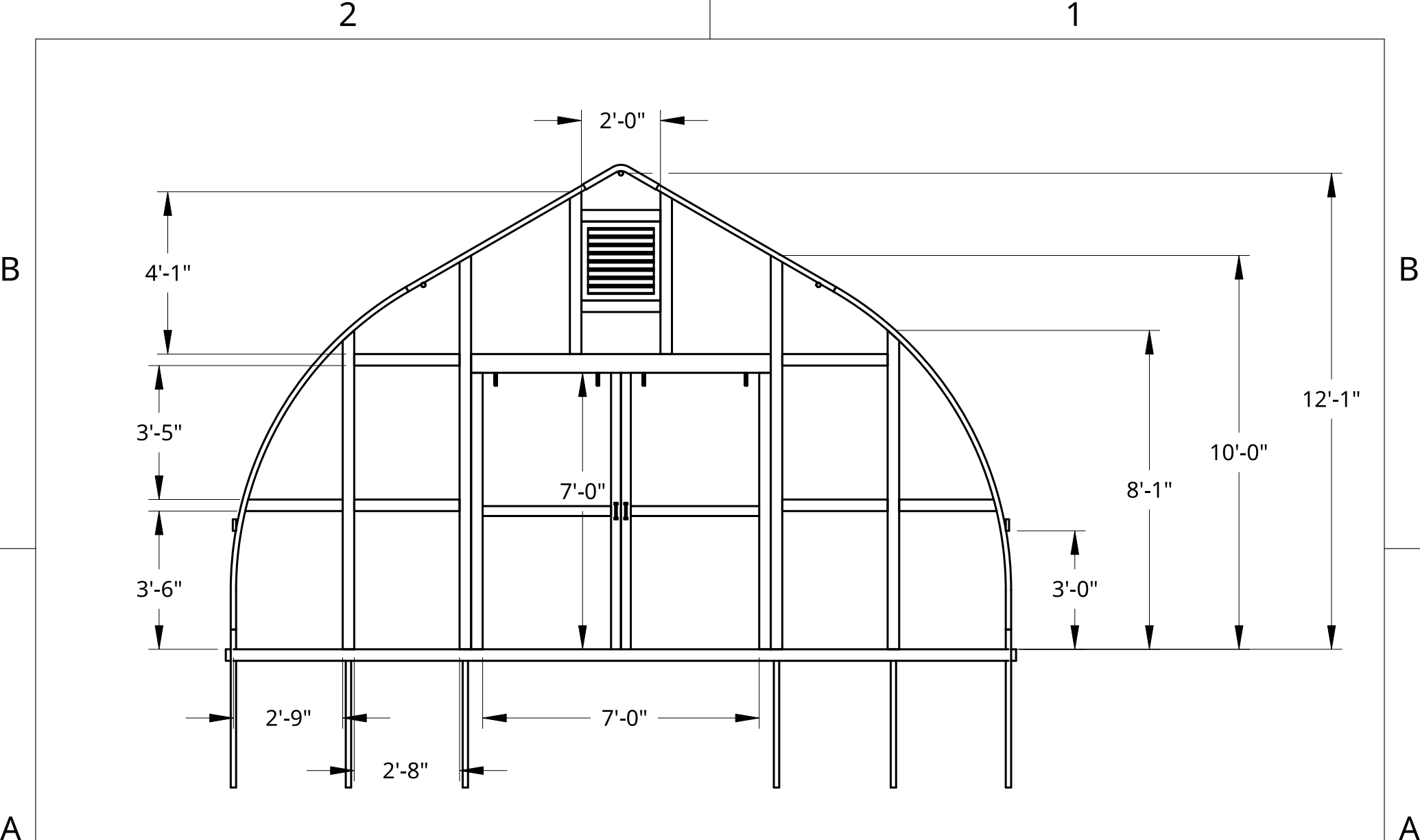
DO NOT SCALE DRAWING

BREAK ALL SHARP EDGES AND  
 REMOVE BURRS

THIRD ANGLE PROJECTION

|          | NAME             | DATE       |
|----------|------------------|------------|
| DRAWN    | Rica Abing       | 08/07/2024 |
| CHECKED  | Kevin Roberts    |            |
| APPROVED |                  |            |
| MATERIAL | Galvanized Steel | FINISH     |

|  |         |        |  |
|--|---------|--------|--|
| Roberts Ranch Hoophouses                 |         |        |  |
| TITLE                                    |         |        |  |
| 20' Wide Gothic Hightunnel<br>Front View |         |        |  |
| SIZE                                     | DWG NO. | REV    |  |
| A  | G20-1   | B      |  |
| SCALE                                    | WEIGHT  | SHEET  |  |
| 1:40                                     |         | 1 of 7 |  |

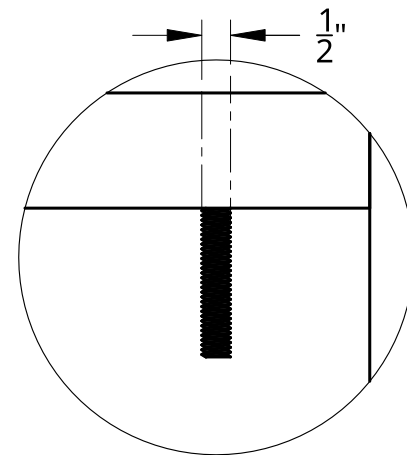
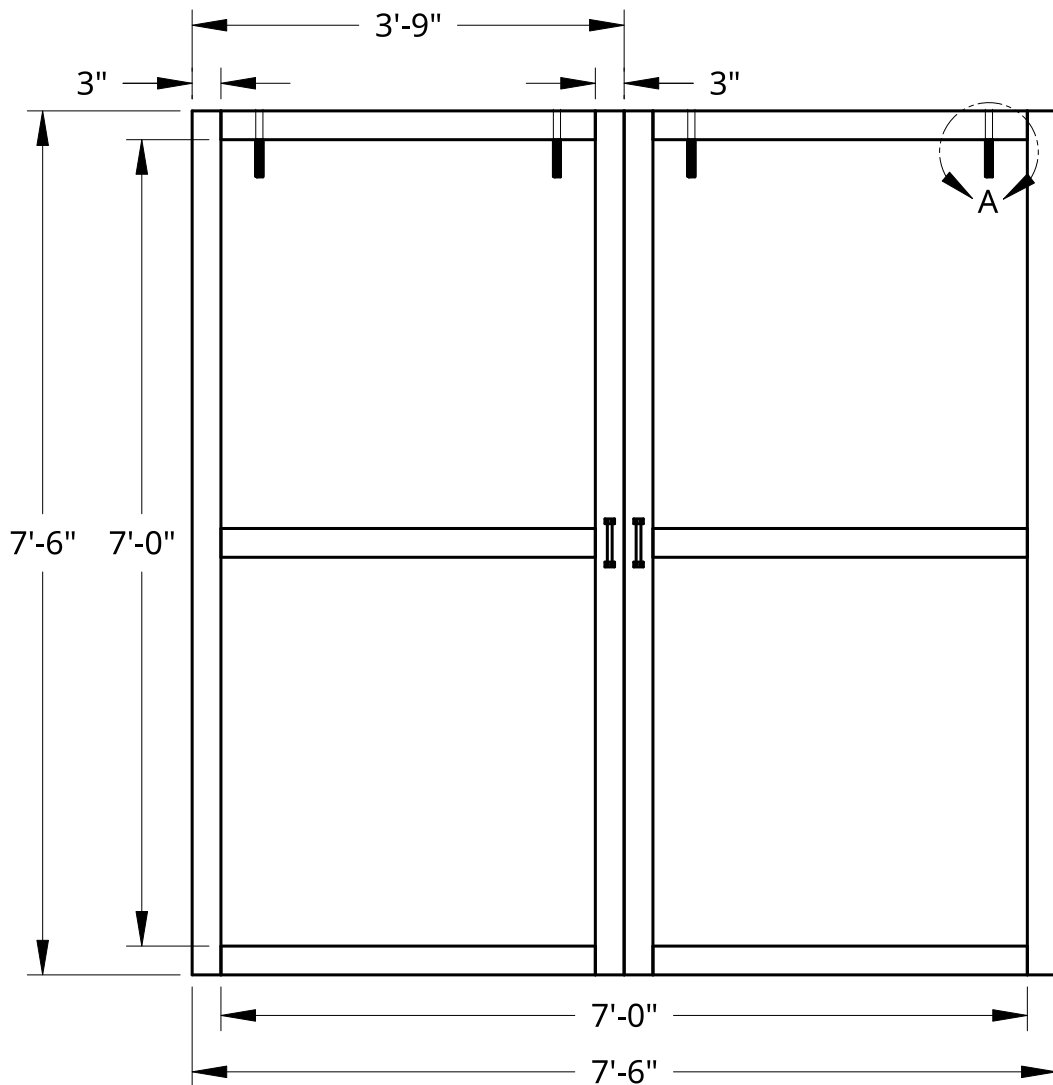


Wind Load - 65 MPH  
 Snow Load - 30 PSF

|   |  |                  |               |                          |   |
|---|--|------------------|---------------|--------------------------|---|
| UNLESS OTHERWISE SPECIFIED,<br>DIMENSIONS ARE IN INCHES<br>.XX = ±.0-<br>.XXX = ±.00-<br>.XXXX = ±.000- |  | NAME             | DATE          | Roberts Ranch Hoophouses |   |
| SURFACE FINISH  |  | DRAWN            | Rica Abing    | 08/07/2024               | TITLE<br><br>20' Wide Gothic Hightunnel<br>Dimensioned Front View |
| DO NOT SCALE DRAWING  |  | CHECKED          | Kevin Roberts |                          |   |
| BREAK ALL SHARP EDGES AND<br>REMOVE BURRS   |  | APPROVED         |               |                          |   |
| THIRD ANGLE PROJECTION<br>  |  | MATERIAL         | FINISH        |                          | SIZE<br><b>A</b>  |
|   |  | Galvanized Steel |               |                          | DWG NO.<br><b>G20-2</b>   |
|   |  |                  |               | SCALE<br>1:40            | REV<br><b>B</b>   |
|   |  |                  |               | WEIGHT                   | SHEET<br>2 of 7   |

2

1



DETAIL A  
1/2" Hole  
SCALE 1:5

B

B

A

A

Wind Load - 65 MPH  
Snow Load - 30 PSF

UNLESS OTHERWISE SPECIFIED,  
DIMENSIONS ARE IN INCHES  
.XX = ±.0-  
.XXX = ±.00-  
.XXXX = ±.000-  
ANGULAR = ± °  
FRACTIONAL = ±

SURFACE FINISH

DO NOT SCALE DRAWING

BREAK ALL SHARP EDGES AND  
REMOVE BURRS

THIRD ANGLE PROJECTION



|          | NAME          | DATE       |
|----------|---------------|------------|
| DRAWN    | Rica Abing    | 08/07/2024 |
| CHECKED  | Kevin Roberts |            |
| APPROVED |               |            |

| MATERIAL         | FINISH |
|------------------|--------|
| Galvanized Steel |        |

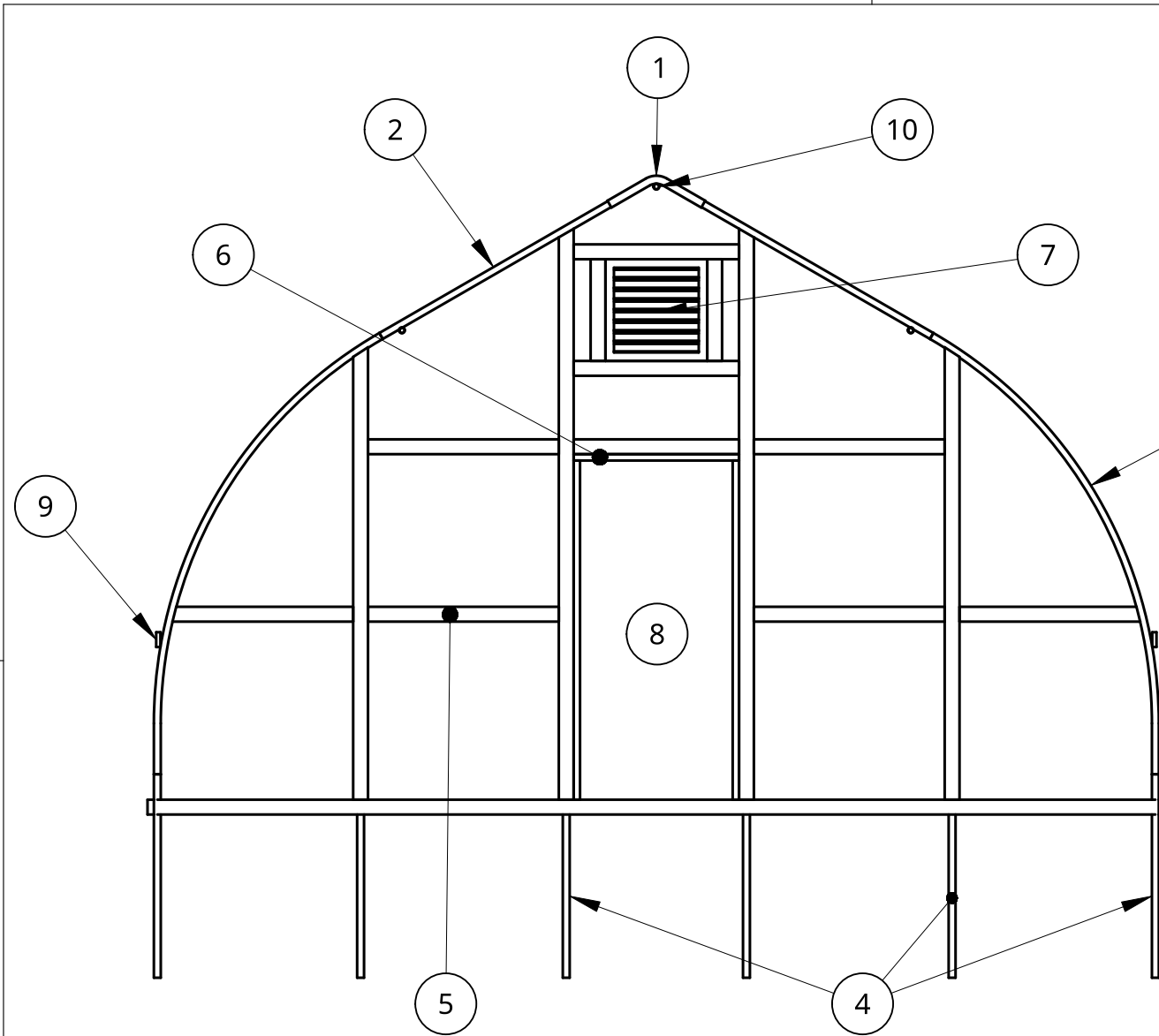
Roberts Ranch Hoophouses

TITLE  
7' x 7' Dual Bay Door  
Blow-Up Plan & Details

| SIZE       | DWG NO. | REV.         |
|------------|---------|--------------|
| A          | G20-3   | A            |
| SCALE 1:40 | WEIGHT  | SHEET 3 of 7 |

2

1



|    |                     |
|----|---------------------|
| 1  | 1.875" OD Peak      |
| 2  | 1.625" OD Truss     |
| 3  | 1.625" OD Arc       |
| 4  | 1.625" OD Post      |
| 5  | 2"x4" Wood Framing  |
| 6  | 2"x4" Door Framing  |
| 7  | 2'x2' Hot Air Vent  |
| 8  | 36" x 80" Man Door  |
| 9  | 1"x4" Roll-Up Board |
| 10 | 1.375" OD Purlin    |

Wind Load - 65 MPH  
Snow Load - 30 PSF

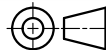
UNLESS OTHERWISE SPECIFIED,  
DIMENSIONS ARE IN INCHES  
.XX = ±.0-  
.XXX = ±.00-  
.XXXX = ±.000-  
ANGULAR = ± °  
FRACTIONAL = ±

SURFACE FINISH

DO NOT SCALE DRAWING

BREAK ALL SHARP EDGES AND  
REMOVE BURRS

THIRD ANGLE PROJECTION



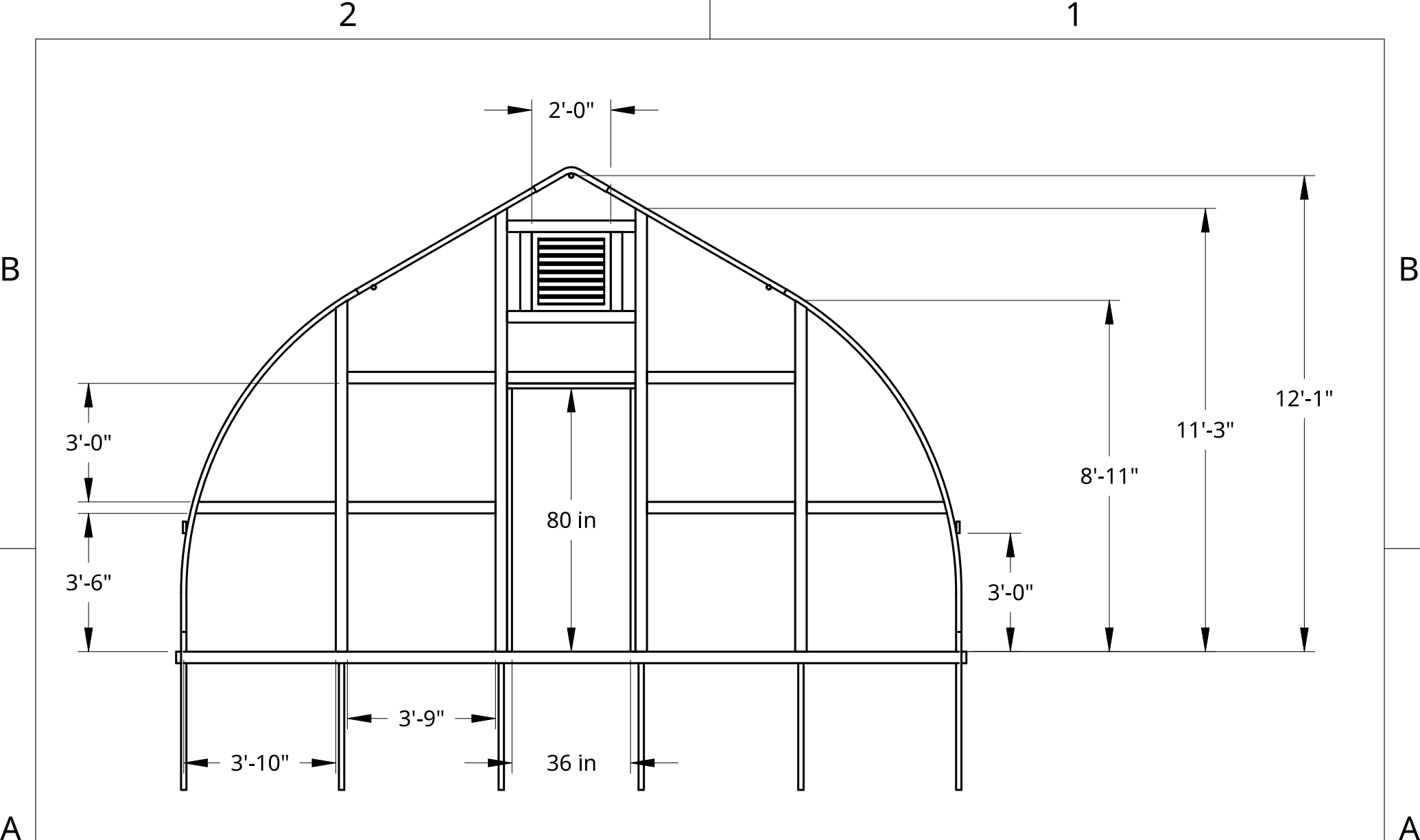
|          | NAME          | DATE       |
|----------|---------------|------------|
| DRAWN    | Rica Abing    | 07/10/2024 |
| CHECKED  | Kevin Roberts |            |
| APPROVED |               |            |

| MATERIAL         | FINISH |
|------------------|--------|
| Galvanized Steel |        |

Roberts Ranch Hoophouses

TITLE  
20' Wide Gothic Hightunnel  
Back View

| SIZE       | DWG NO. | REV          |
|------------|---------|--------------|
| A          | G20-4   | B            |
| SCALE 1:40 | WEIGHT  | SHEET 4 of 7 |

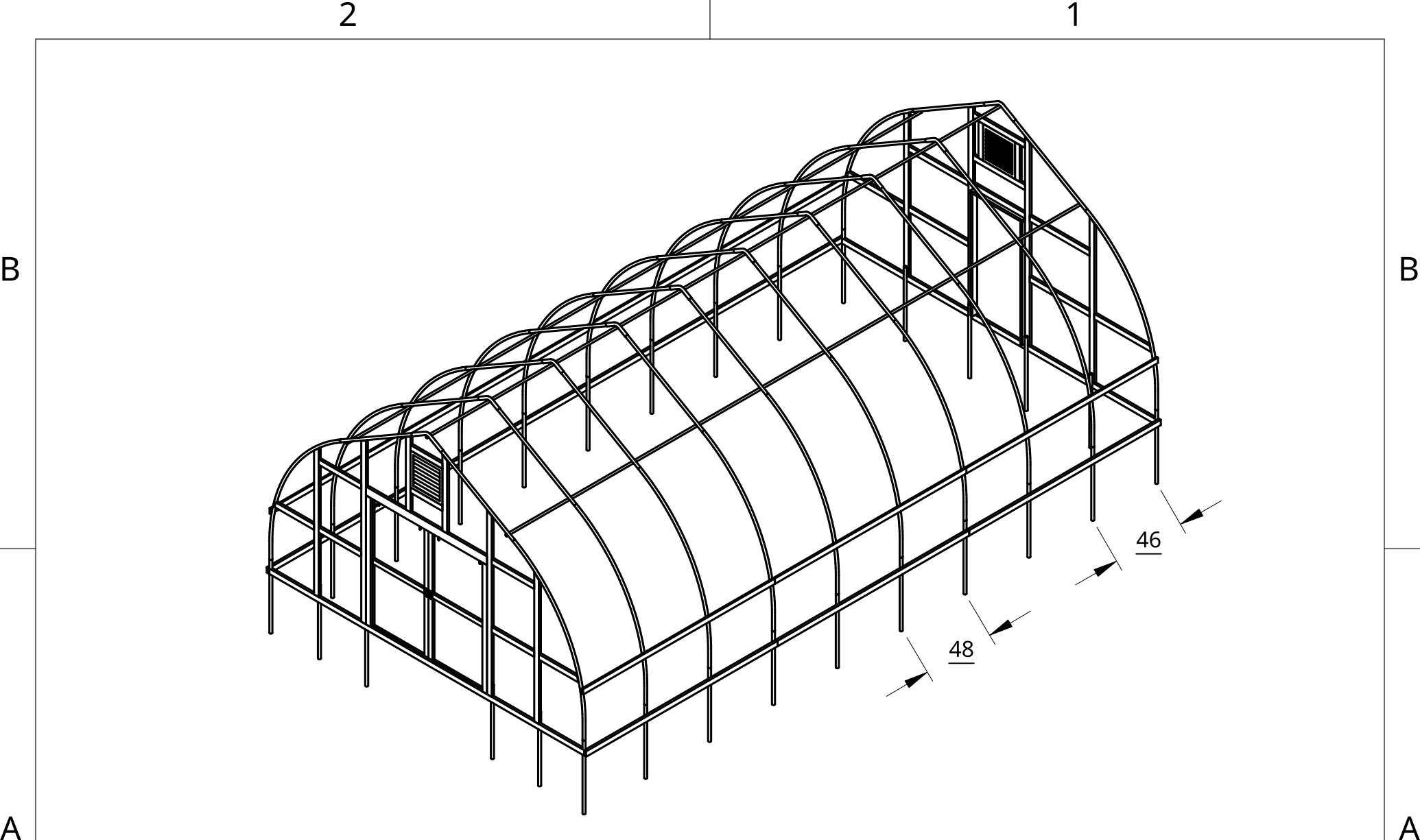


Wind Load - 65 MPH  
 Snow Load - 30 PSF

|   |  |                  |               |                          |  |
|---|--|------------------|---------------|--------------------------|--|
| UNLESS OTHERWISE SPECIFIED,<br>DIMENSIONS ARE IN INCHES<br>.XX = ±.0-<br>.XXX = ±.00-<br>.XXXX = ±.000- |  | NAME             | DATE          | Roberts Ranch Hoophouses |  |
| SURFACE FINISH <input checked="" type="checkbox"/>  |  | DRAWN            | Rica Abing    | 07/10/2024               | TITLE<br>20' Wide Gothic Hightunnel<br>Dimensioned Back View |
| DO NOT SCALE DRAWING  |  | CHECKED          | Kevin Roberts |                          |  |
| BREAK ALL SHARP EDGES AND<br>REMOVE BURRS   |  | APPROVED         |               |                          |  |
| THIRD ANGLE PROJECTION  |  | MATERIAL         | FINISH        |                          | SIZE   |
|   |  | Galvanized Steel |               |                          | A  |
|   |  |                  |               |                          | DWG. NO.   |
|   |  |                  |               |                          | G20-5  |
|   |  |                  |               |                          | REV  |
|   |  |                  |               |                          | B  |
|   |  | SCALE            | 1:40          | WEIGHT                   | SHEET  |
|   |  |                  |               |                          | 5 of 7   |

2

1



Wind Load - 65 MPH  
 Snow Load - 30 PSF

|   |                  |               |            |   |              |
|---|------------------|---------------|------------|---|--------------|
| UNLESS OTHERWISE SPECIFIED,<br>DIMENSIONS ARE IN INCHES<br>.XX = ±.0-<br>.XXX = ±.00-<br>.XXXX = ±.000-<br>SURFACE FINISH |                  | NAME          | DATE       | Roberts Ranch Hoophouses                              |              |
| DO NOT SCALE DRAWING  | DRAWN            | Rica Abing    | 08/07/2024 | TITLE<br>20' Wide Gothic Hightunnel<br>Isometric View |              |
| BREAK ALL SHARP EDGES AND<br>REMOVE BURRS   | CHECKED          | Kevin Roberts |            |   |              |
| THIRD ANGLE PROJECTION<br>  | APPROVED         |               |            |   |              |
|   | MATERIAL         | FINISH        | SIZE       | DWG NO.   | REV          |
|   | Galvanized Steel |               | A          | G20-6   | B            |
|   |                  |               | SCALE 1:70 | WEIGHT  | SHEET 6 of 7 |

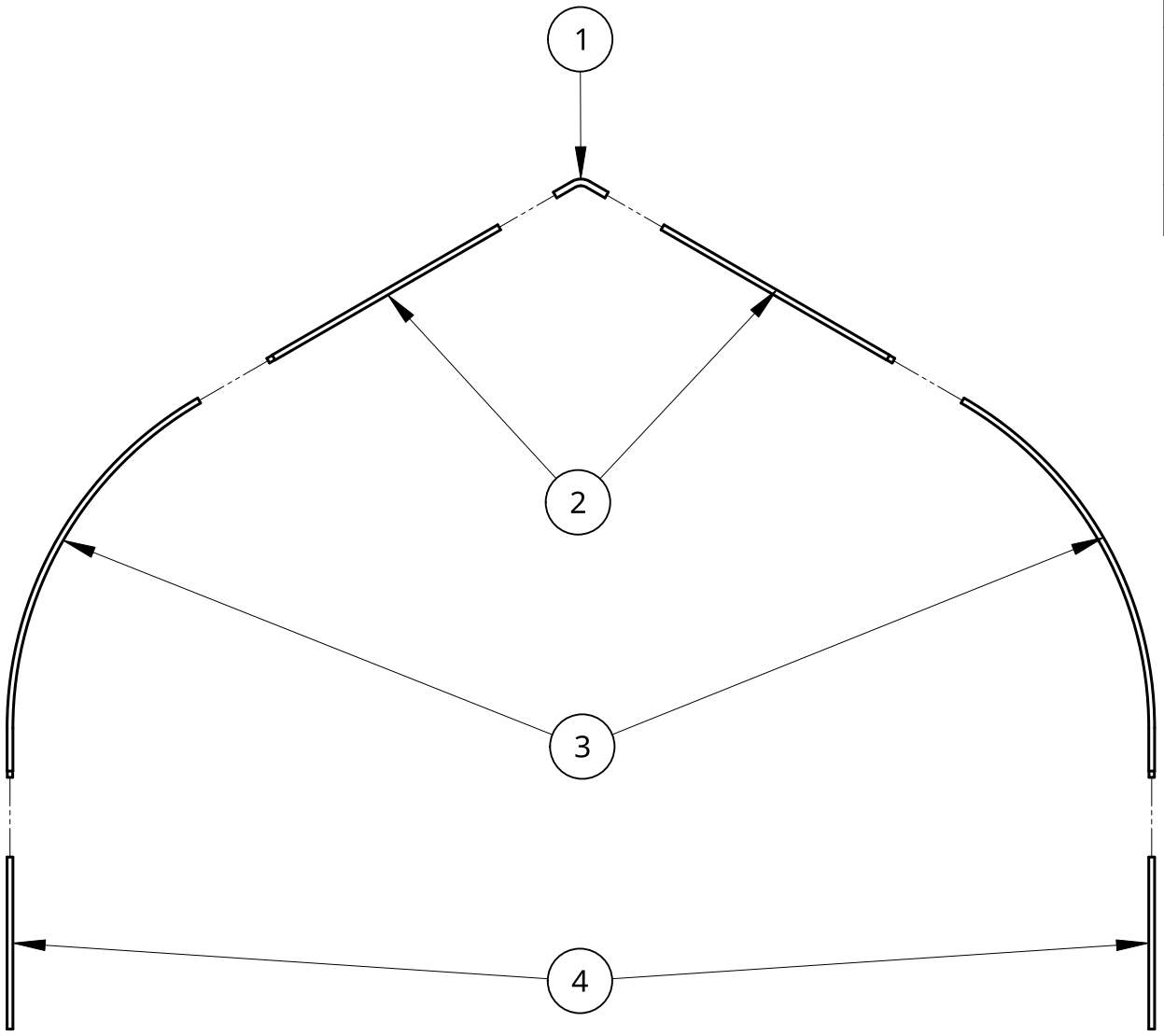
2

1

| Item | Quantity | Description     |
|------|----------|-----------------|
| 1    | 1        | 1.875" OD Peak  |
| 2    | 2        | 1.625" OD Truss |
| 3    | 2        | 1.625" OD Arc   |
| 4    | 2        | 1.625" OD Post  |

B

B



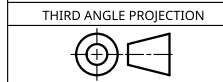
A

A

Wind Load - 65 MPH  
 Snow Load - 30 PSF

UNLESS OTHERWISE SPECIFIED,  
 DIMENSIONS ARE IN INCHES  
 .XX = ±.0-  
 .XXX = ±.00-  
 .XXXX = ±.000-  
 SURFACE FINISH

DO NOT SCALE DRAWING  
 BREAK ALL SHARP EDGES AND  
 REMOVE BURRS



|          | NAME             | DATE       |
|----------|------------------|------------|
| DRAWN    | KEVIN ROBERTS    | 03/08/2024 |
| CHECKED  |                  |            |
| APPROVED | E. Roberts       | 3/8/2024   |
| MATERIAL | Galvanized Steel |            |
| FINISH   |                  |            |

| Roberts Ranch Hoophouses                      |         |        |
|---|---------|--------|
| TITLE   |         |        |
| 20' Wide Gothic Hightunnel Arch Exploded View |         |        |
| SIZE  | DWG NO. | REV    |
| A   | G20-7   | B      |
| SCALE   | WEIGHT  | SHEET  |
| 1:50  |         | 7 of 7 |

2

1