

1	1.375" OD Arc
2	1.625" OD Post
3	2"x2" Metal Framing
4	6' x 7' Bay Door
5	1"x2" Roll-Up Board
6	Dual Bay Door Bottom Header

WIND LOAD - 65 MPH
 SNOW LOAD - 30 PSF

UNLESS OTHERWISE SPECIFIED,
 DIMENSIONS ARE IN INCHES
 .XX = ±.0-
 .XXX = ±.00-
 .XXXX = ±.000-
 SURFACE FINISH

DO NOT SCALE DRAWING
 BREAK ALL SHARP EDGES AND
 REMOVE BURRS
 THIRD ANGLE PROJECTION

	NAME	DATE
DRAWN	RICA JANE ABING	08/08/2024
CHECKED	Kevin Roberts	
APPROVED		
MATERIAL		FINISH

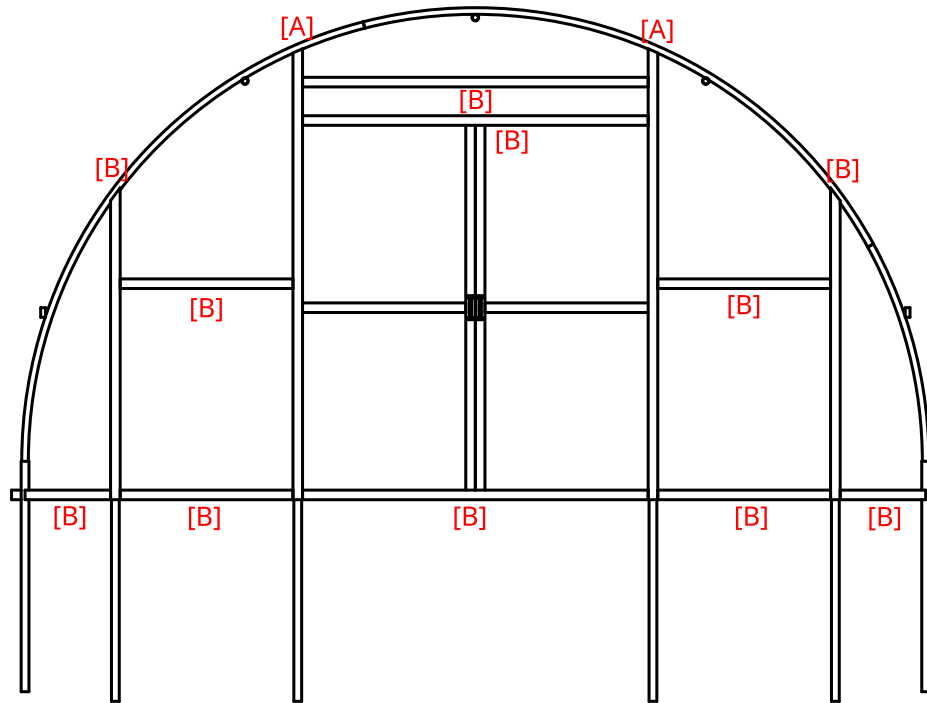
Roberts Ranch Hoopouses		
TITLE 16' Wide Hoopouse Front View & BOM		
SIZE A	DWG NO. H16-1	REV. C
SCALE 1:40	WEIGHT	SHEET 1 of 9

2

1

Metal Framing Detail

Item	Description
A, B	2"x2" Vertical Stud
B	2"x2" Horizontal Stud
B	2"x2" Base Frame



B

B

A

A

WIND LOAD - 65 MPH
SNOW LOAD - 30 PSF

UNLESS OTHERWISE SPECIFIED,
DIMENSIONS ARE IN INCHES

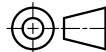
.XX = ±.0-
.XXX = ±.00-
.XXXX = ±.000-
ANGULAR = ± °
FRACTIONAL = ±

SURFACE FINISH

DO NOT SCALE DRAWING

BREAK ALL SHARP EDGES AND
REMOVE BURRS

THIRD ANGLE PROJECTION



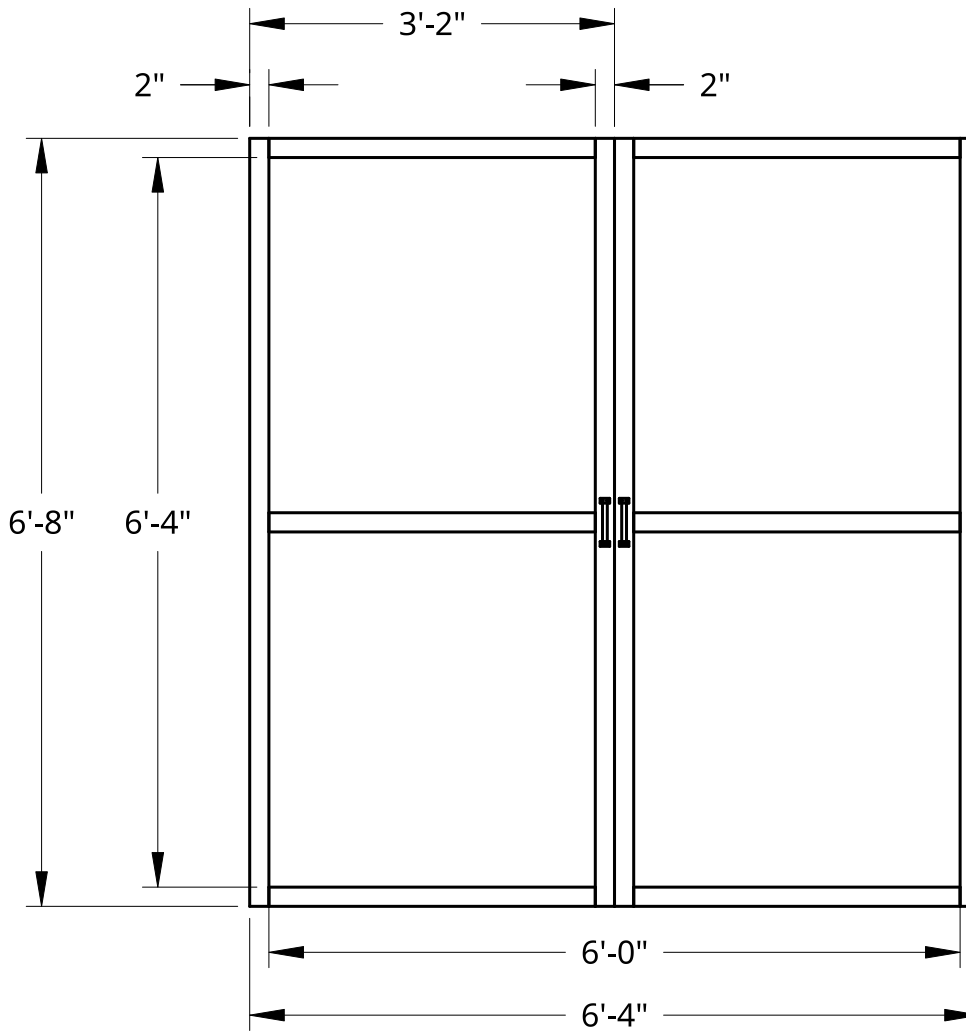
		NAME	DATE	Roberts Ranch Hoophouses	
DRAWN		RICA JANE ABING	08/08/2024	TITLE 16' Wide Hoophouse Front View & BOM	
CHECKED		Kevin Roberts			
APPROVED					
MATERIAL		FINISH		SIZE A	DWG NO. H16-2
				SCALE 1:40	WEIGHT
				SHEET 2 of 9	
				REV. C	

2

1

2

1



B

B

A

A

WIND LOAD - 65 MPH
 SNOW LOAD - 30 PSF

2

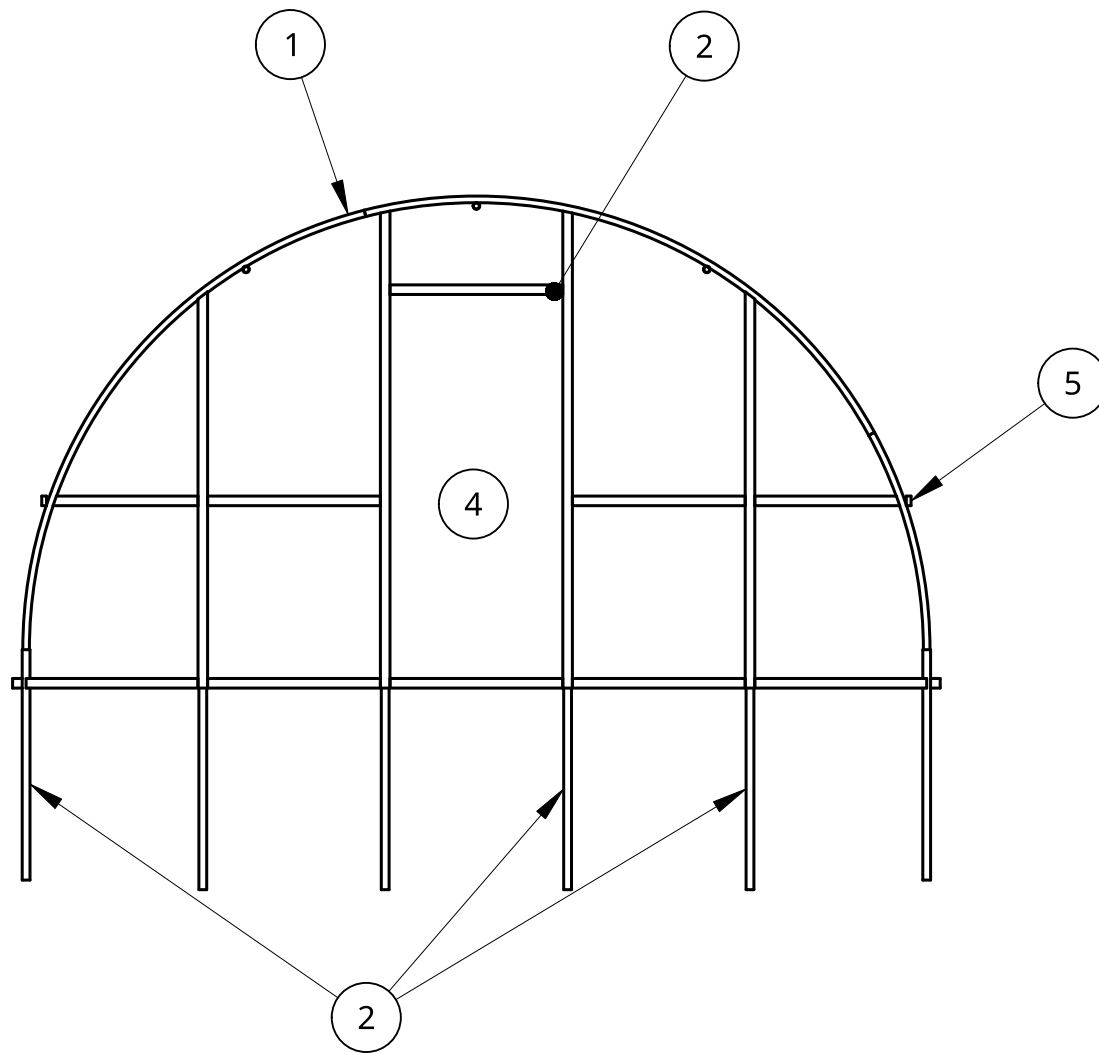
1

UNLESS OTHERWISE SPECIFIED, DIMENSIONS ARE IN INCHES .XX = ±.0- .XXX = ±.00- .XXXX = ±.000-		NAME	DATE	Roberts Ranch Hoophouses	
ANGULAR = ± ° FRACTIONAL = ±	DRAWN	RICA JANE ABING	08/08/2024	TITLE 6' x 6' Dual Bay Door Plan Detail	
SURFACE FINISH ✓	CHECKED	Kevin Roberts			
DO NOT SCALE DRAWING	APPROVED				
BREAK ALL SHARP EDGES AND REMOVE BURRS				SIZE	DWG NO.
THIRD ANGLE PROJECTION	MATERIAL	FINISH		A	H16-4
				SCALE	WEIGHT
				1:20	
				SHEET	4 of 9
				REV.	C

2

1

1	1.375" OD Arc
2	1.625" OD Post
3	2"x2" Metal Framing
4	36"x80" Man Door
5	1"x2" Roll-Up Board



WIND LOAD - 65 MPH
 SNOW LOAD - 30 PSF

UNLESS OTHERWISE SPECIFIED, DIMENSIONS ARE IN INCHES	
.XX = ±.0-	ANGULAR = ± °
.XXX = ±.00-	FRACTIONAL = ±
.XXXX = ±.000-	
SURFACE FINISH	
DO NOT SCALE DRAWING	
BREAK ALL SHARP EDGES AND REMOVE BURRS	
THIRD ANGLE PROJECTION	

	NAME	DATE
DRAWN	RICA JANE ABING	07/15/2024
CHECKED	Kevin Roberts	
APPROVED		
MATERIAL	FINISH	

Roberts Ranch Hoophouses		
TITLE		
16' Wide Hoophouse Back View & BOM		
SIZE	DWG NO.	REV.
A	H16-5	C
SCALE	WEIGHT	SHEET
1:40		5 of 9

2

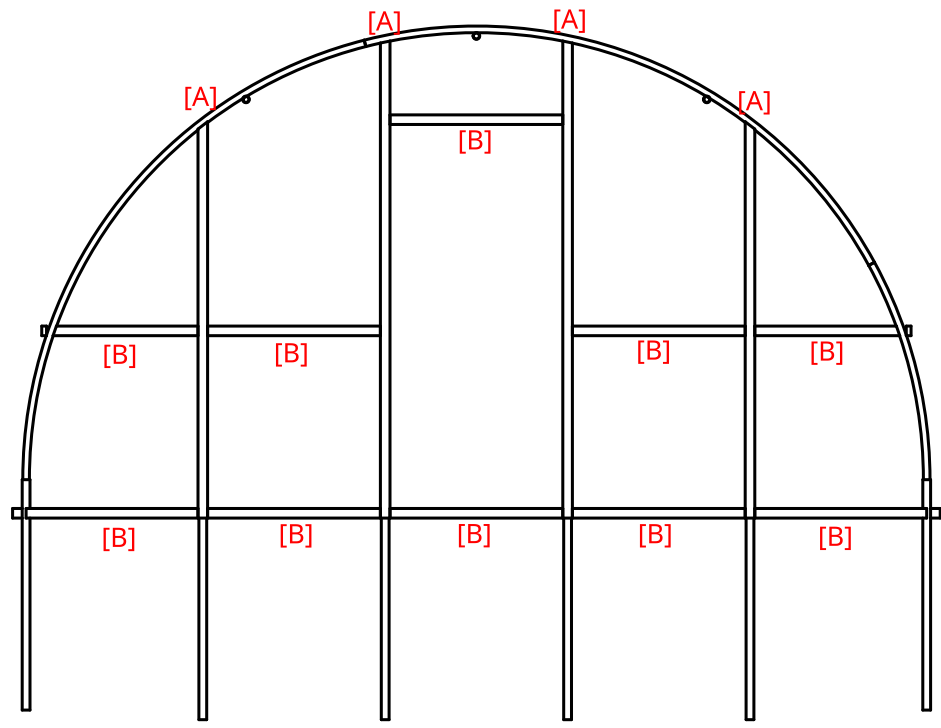
1

2

1

Metal Framing Detail

Item	Description
A	2"x2" Vertical Stud
B	2"x2" Horizontal Stud
B	2"x2" Base Frame



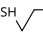
B

B


A

A

WIND LOAD - 65 MPH
 SNOW LOAD - 30 PSF

UNLESS OTHERWISE SPECIFIED,
 DIMENSIONS ARE IN INCHES
 .XX = ±.0-
 .XXX = ±.00-
 .XXXX = ±.000-
 SURFACE FINISH 
 DO NOT SCALE DRAWING
 BREAK ALL SHARP EDGES AND
 REMOVE BURRS

THIRD ANGLE PROJECTION



	NAME	DATE
DRAWN	RICA JANE ABING	07/15/2024
CHECKED	Kevin Roberts	
APPROVED		
MATERIAL		FINISH

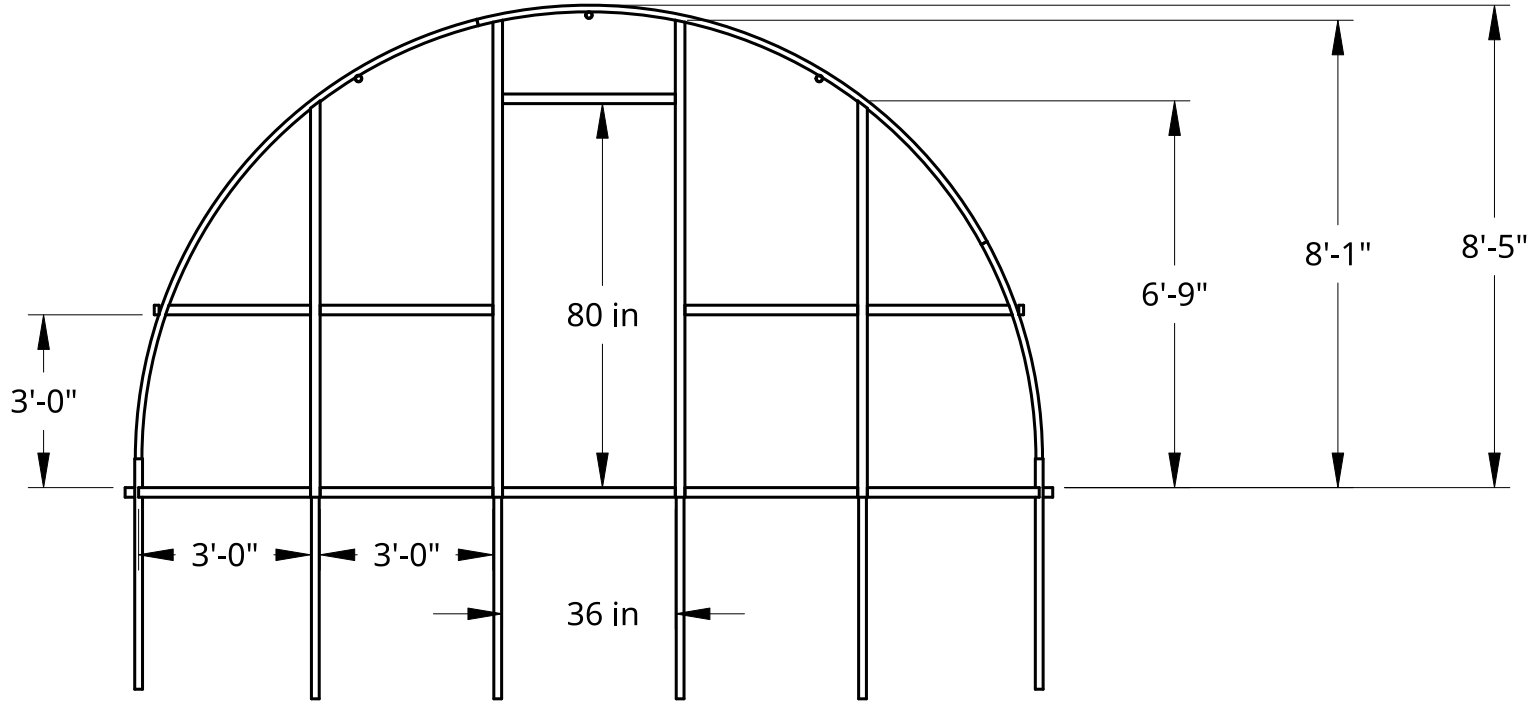
Roberts Ranch Hoophouses		
TITLE		
16' Wide Hoophouse Back View & BOM		
SIZE	DWG NO.	REV.
A	H16-6	C
SCALE	WEIGHT	SHEET
1:40		6 of 9

2

1

B

B



A

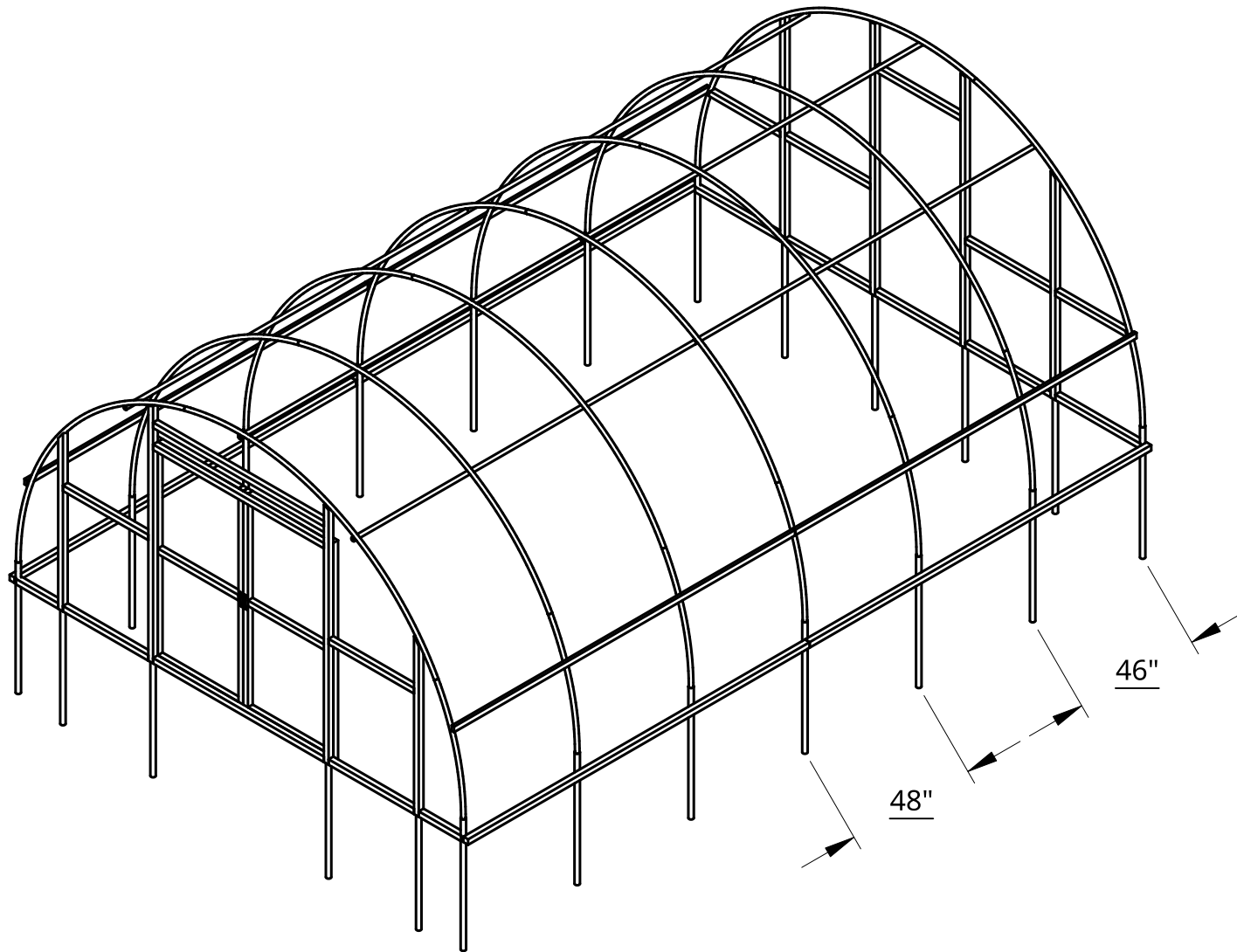
A

WIND LOAD - 65 MPH
 SNOW LOAD - 30 PSF

UNLESS OTHERWISE SPECIFIED, DIMENSIONS ARE IN INCHES .XX = ±.0- .XXX = ±.00- .XXXX = ±.000-		NAME	DATE	Roberts Ranch Hoopouses	
ANGULAR = ± ° FRACTIONAL = ±	DRAWN	RICA JANE ABING	07/15/2024	TITLE 16' Wide Hoopouse Dimensioned Font View	
SURFACE FINISH ✓	CHECKED	Kevin Roberts			
DO NOT SCALE DRAWING	APPROVED				
BREAK ALL SHARP EDGES AND REMOVE BURRS				SIZE	DWG NO.
THIRD ANGLE PROJECTION	MATERIAL	FINISH		A	H16-7
				SCALE	WEIGHT
				1:40	
				SHEET	7 of 9
				REV.	C

2

1



WIND LOAD - 65 MPH
 SNOW LOAD - 30 PSF

UNLESS OTHERWISE SPECIFIED,
 DIMENSIONS ARE IN INCHES

.XX = ±.0-
 .XXX = ±.00-
 .XXXX = ±.000-

ANGULAR = ± °
 FRACTIONAL = ±

SURFACE FINISH

DO NOT SCALE DRAWING

BREAK ALL SHARP EDGES AND
 REMOVE BURRS

THIRD ANGLE PROJECTION

	NAME	DATE
DRAWN	RICA JANE ABING	08/08/2024
CHECKED	Kevin Roberts	
APPROVED		
MATERIAL	FINISH	

Roberts Ranch Hoophouses		
TITLE		
16' Wide Hoophouse Isometric View		
SIZE	DWG NO.	REV.
A	H16-8	C
SCALE	WEIGHT	SHEET
1:50		8 of 9

2

1

Item	Quantity	Description
1	1	1.375" OD Arc
2	1	1.375" OD Arc
3	1	1.375" OD Arc
4	2	1.625" OD Post

B

B

1

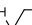

2

3

4

A

A

UNLESS OTHERWISE SPECIFIED, DIMENSIONS ARE IN INCHES .XX = ±.0- .XXX = ±.00- .XXXX = ±.000-		NAME	DATE	Roberts Ranch Hoophouses	
ANGULAR = ± ° FRACTIONAL = ±	DRAWN	RICA JANE ABING	07/15/2024	TITLE 16' Wide Hoophouse Arch Exploded View	
SURFACE FINISH 	CHECKED	Kevin Roberts			
DO NOT SCALE DRAWING	APPROVED				
BREAK ALL SHARP EDGES AND REMOVE BURRS	MATERIAL	FINISH		SIZE A	DWG NO. H16-9
THIRD ANGLE PROJECTION 					REV. C
WIND LOAD - 65 MPH SNOW LOAD - 30 PSF				SCALE 1:40	WEIGHT
				SHEET	9 of 9

2

1