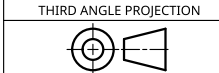


1	1.375" OD Arc
2	1.625" OD Post
3	Wood Framing
4	2"x4" Door Framing
5	36"x80" Man Door
6	1"x4" Roll-Up Board

WIND LOAD - 65 MPH
 SNOW LOAD - 30 PSF

UNLESS OTHERWISE SPECIFIED,
 DIMENSIONS ARE IN INCHES
 .XX = ±.0-
 .XXX = ±.00-
 .XXXX = ±.000-
 SURFACE FINISH

DO NOT SCALE DRAWING
 BREAK ALL SHARP EDGES AND
 REMOVE BURRS



	NAME	DATE
DRAWN	RICA JANE ABING	02/26/2025
CHECKED	Kevin Roberts	
APPROVED		
MATERIAL		FINISH

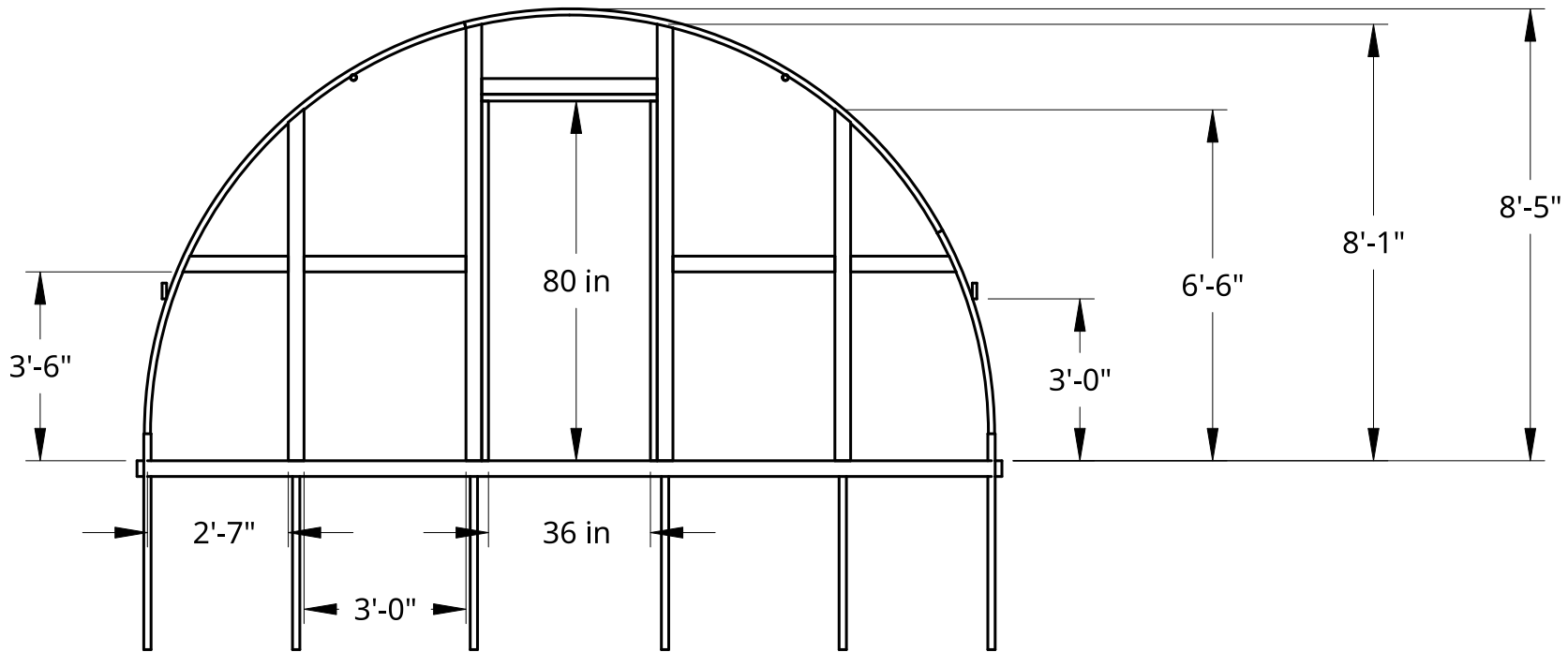
Roberts Ranch Hoophouses		
TITLE 16' Wide Hoophouse Front & Back View & BOM		
SIZE A	DWG NO. H16-1	REV. C
SCALE 1:40	WEIGHT	SHEET 1 of 4

B

A

B

A



WIND LOAD - 65 MPH
 SNOW LOAD - 30 PSF

UNLESS OTHERWISE SPECIFIED,
 DIMENSIONS ARE IN INCHES
 .XX = ±.0-
 .XXX = ±.00-
 .XXXX = ±.000-
 SURFACE FINISH

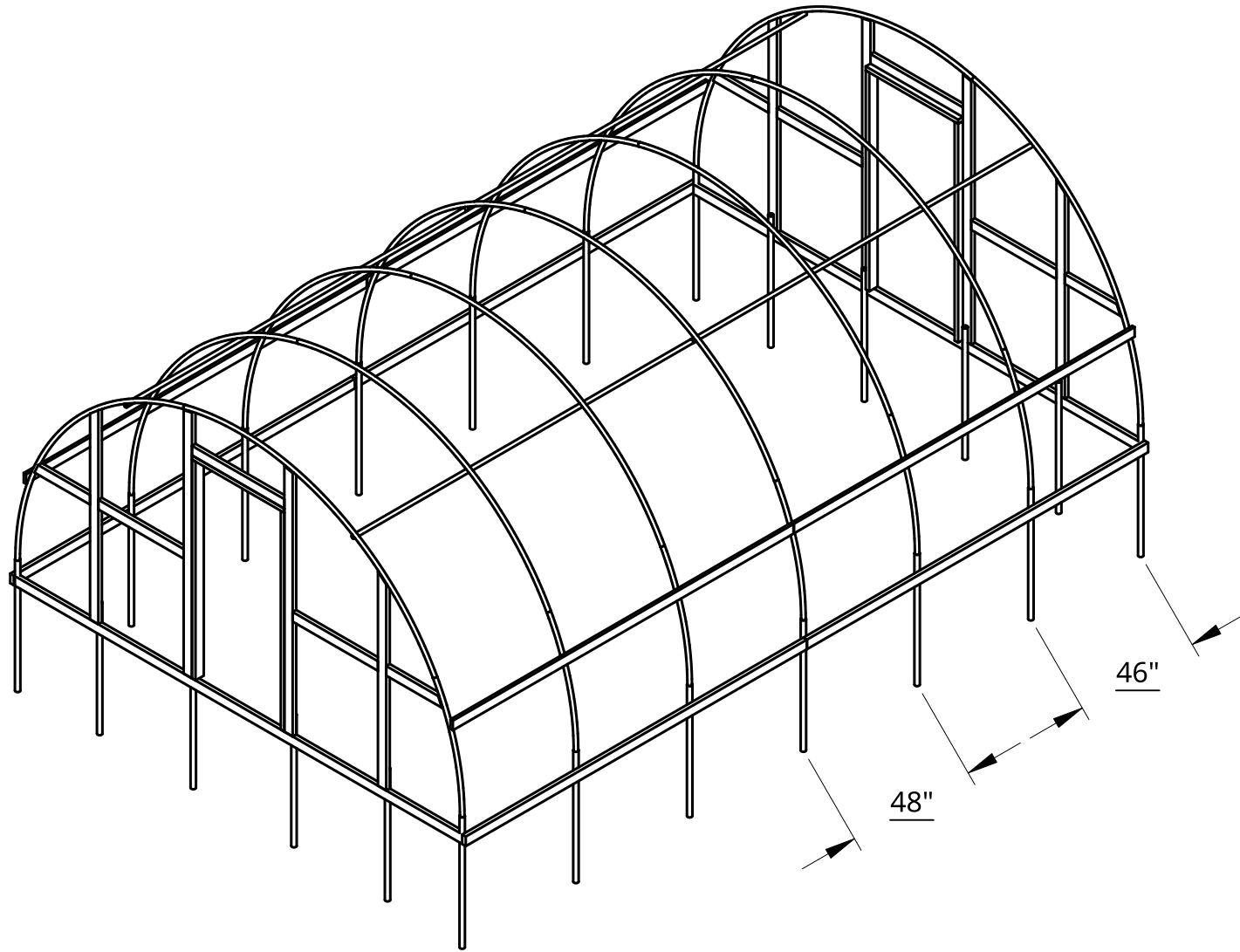
DO NOT SCALE DRAWING
 BREAK ALL SHARP EDGES AND
 REMOVE BURRS
 THIRD ANGLE PROJECTION

	NAME	DATE
DRAWN	RICA JANE ABING	02/26/2025
CHECKED	Kevin Roberts	
APPROVED		
MATERIAL	FINISH	

Roberts Ranch Hoophouses		
TITLE 16' Wide Hoophouse Dimensioned Font & Back View		
SIZE A	DWG NO. H16-2	REV. C
SCALE 1:40	WEIGHT	SHEET 2 of 4

2

1



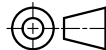
WIND LOAD - 65 MPH
 SNOW LOAD - 30 PSF

UNLESS OTHERWISE SPECIFIED,
 DIMENSIONS ARE IN INCHES
 .XX = ±.0-
 .XXX = ±.00-
 .XXXX = ±.000-
 SURFACE FINISH

DO NOT SCALE DRAWING

BREAK ALL SHARP EDGES AND
 REMOVE BURRS

THIRD ANGLE PROJECTION



	NAME	DATE
DRAWN	RICA JANE ABING	02/26/2025
CHECKED	Kevin Roberts	
APPROVED		
MATERIAL	FINISH	

Roberts Ranch Hoophouses

TITLE			
16' Wide Hoophouse Isometric View			
SIZE	DWG NO.	REV.	
A	H16-3	C	
SCALE	WEIGHT	SHEET	
1:50		3 of 4	

2

1

Item	Quantity	Description
1	1	1.375" OD Arc
2	1	1.375" OD Arc
3	2	1.625" OD Post

B

B

1

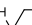

1

2

3

A

A

UNLESS OTHERWISE SPECIFIED, DIMENSIONS ARE IN INCHES .XX = ±.0- .XXX = ±.00- .XXXX = ±.000- SURFACE FINISH 		NAME	DATE	Roberts Ranch Hoopouses	
DO NOT SCALE DRAWING		DRAWN	RICA JANE ABING	07/15/2024	TITLE 16' Wide Hoopouse Arch Exploded View
BREAK ALL SHARP EDGES AND REMOVE BURRS		CHECKED	Kevin Roberts		
THIRD ANGLE PROJECTION 		APPROVED			
WIND LOAD - 65 MPH SNOW LOAD - 30 PSF		MATERIAL	FINISH	SIZE A	DWG NO. H16-4
				SCALE 1:40	REV. C
				WEIGHT	SHEET 4 of 4

2

1