

1	1.375" OD Arc
2	1.625" OD Post
3	2"x2" Metal Framing
4	2'x2' Hot Air Vent
5	7' x 7' Bay Door
6	1"x2" Roll-Up Board
7	Dual Bay Door Bottom Header

2

UNLESS OTHERWISE SPECIFIED,  
DIMENSIONS ARE IN INCHES

.XX = ±.0-  
.XXX = ±.00-  
.XXXX = ±.000-

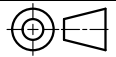
ANGULAR = ± °  
FRACTIONAL = ±

SURFACE FINISH

DO NOT SCALE DRAWING

BREAK ALL SHARP EDGES AND REMOVE BURRS

THIRD ANGLE PROJECTION



	NAME	DATE
DRAWN	RICA JANE ABING	08/08/2024
CHECKED	Kevin Roberts	
APPROVED		

MATERIAL	FINISH
Galvanized Steel	

Roberts Ranch Hoophouses

TITLE  
**20' Wide Hoophouse  
Front View & BOM**

SIZE	DWG NO.	REV.
<b>A</b>	<b>H20-1</b>	<b>C</b>
SCALE	WEIGHT	SHEET
1:40		1 of 5

WIND LOAD - 65 MPH  
SNOW LOAD - 30 PSF

2

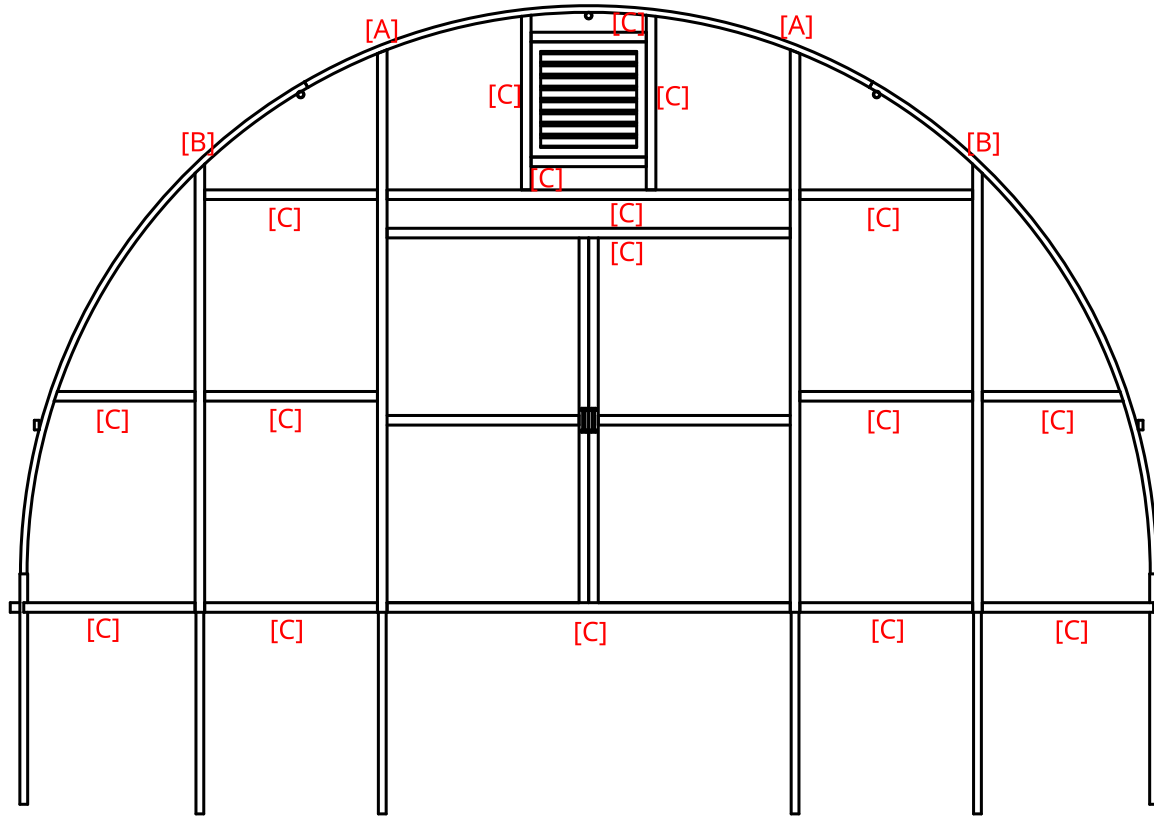
1

2

1

### Metal Framing Detail

Item	Description
A, B	2"x2" Vertical Stud
C	2"x2" Horizontal Stud
C	2"x2" Base Frame
C	2"x2" Air Vent Frame



B

B

A

A

WIND LOAD - 65 MPH  
 SNOW LOAD - 30 PSF

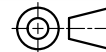
UNLESS OTHERWISE SPECIFIED,  
 DIMENSIONS ARE IN INCHES  
 .XX = ±.0-  
 .XXX = ±.00-  
 .XXXX = ±.000-  
 ANGULAR = ± °  
 FRACTIONAL = ±

SURFACE FINISH

DO NOT SCALE DRAWING

BREAK ALL SHARP EDGES AND  
 REMOVE BURRS

THIRD ANGLE PROJECTION



	NAME	DATE
DRAWN	RICA JANE ABING	08/08/2024
CHECKED	Kevin Roberts	
APPROVED		

MATERIAL	FINISH
Galvanized Steel	

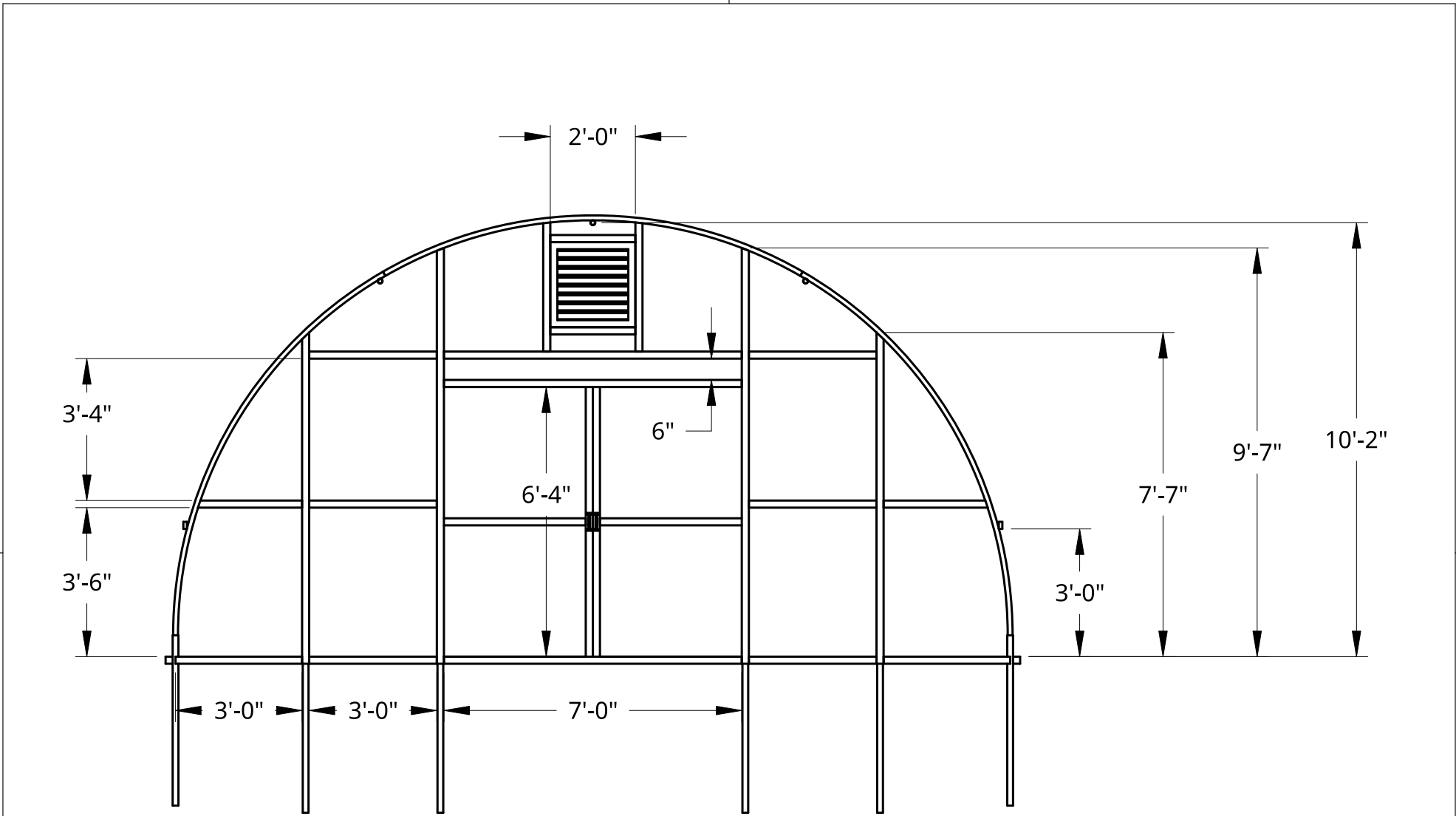
Roberts Ranch Hoophouses

TITLE  
 20' Wide Hoophouse  
 Front View & BOM

SIZE	DWG NO.	REV.
A	H20-2	C
SCALE 1:40	WEIGHT	SHEET 2 of 5

2

1



WIND LOAD - 65 MPH  
 SNOW LOAD - 30 PSF

UNLESS OTHERWISE SPECIFIED,  
 DIMENSIONS ARE IN INCHES

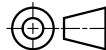
.XX = ±.0-  
 .XXX = ±.00-  
 .XXXX = ±.000-

SURFACE FINISH ✓

DO NOT SCALE DRAWING

BREAK ALL SHARP EDGES AND  
 REMOVE BURRS

THIRD ANGLE PROJECTION

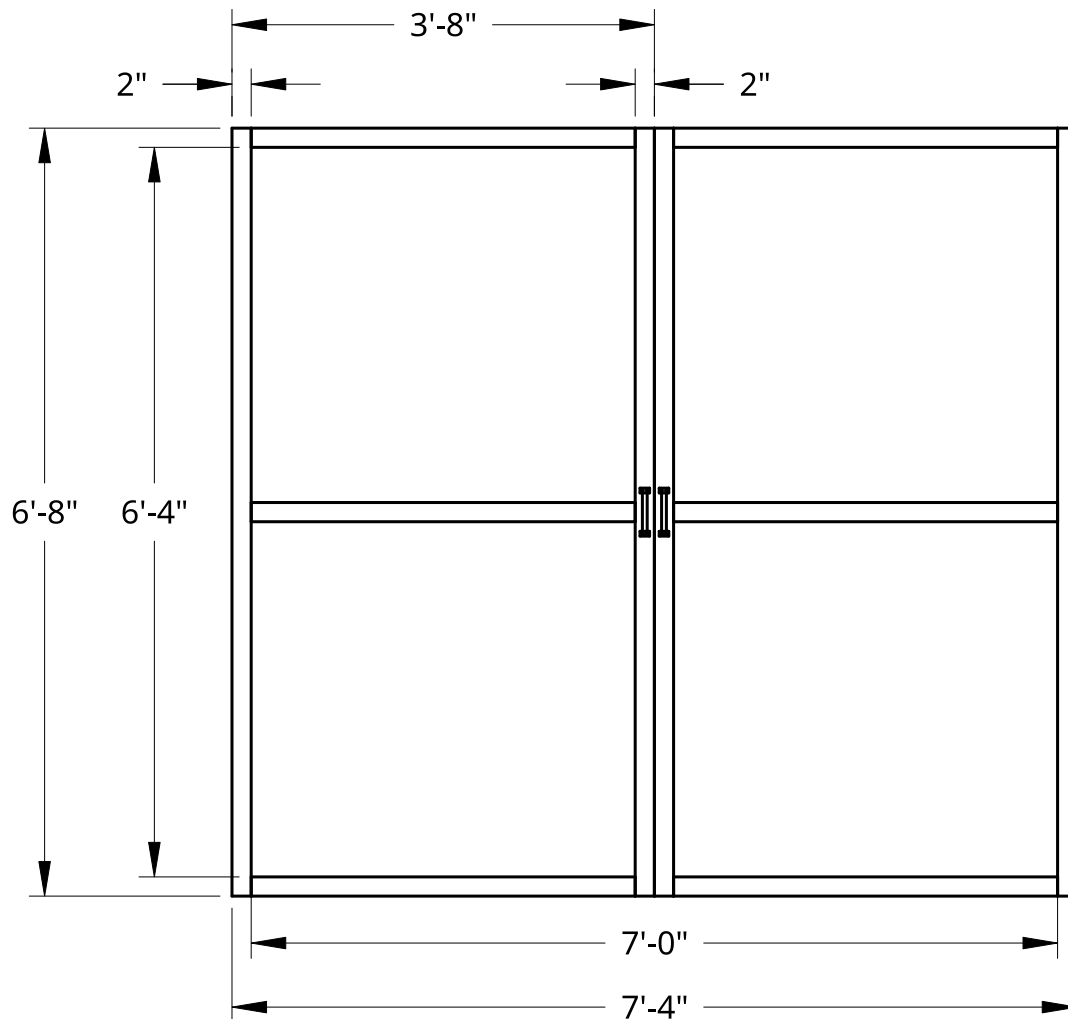


	NAME	DATE
DRAWN	RICA JANE ABING	08/08/2024
CHECKED	Kevin Roberts	
APPROVED		
	MATERIAL	FINISH
	Galvanized Steel	

Roberts Ranch Hoopouses		
TITLE		
20' Wide Hoopouse Dimensioned Font View		
SIZE	DWG NO.	REV.
A	H24-3	C
SCALE	WEIGHT	SHEET
1:40		3 of 5

2

1



B

B

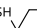
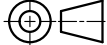
A

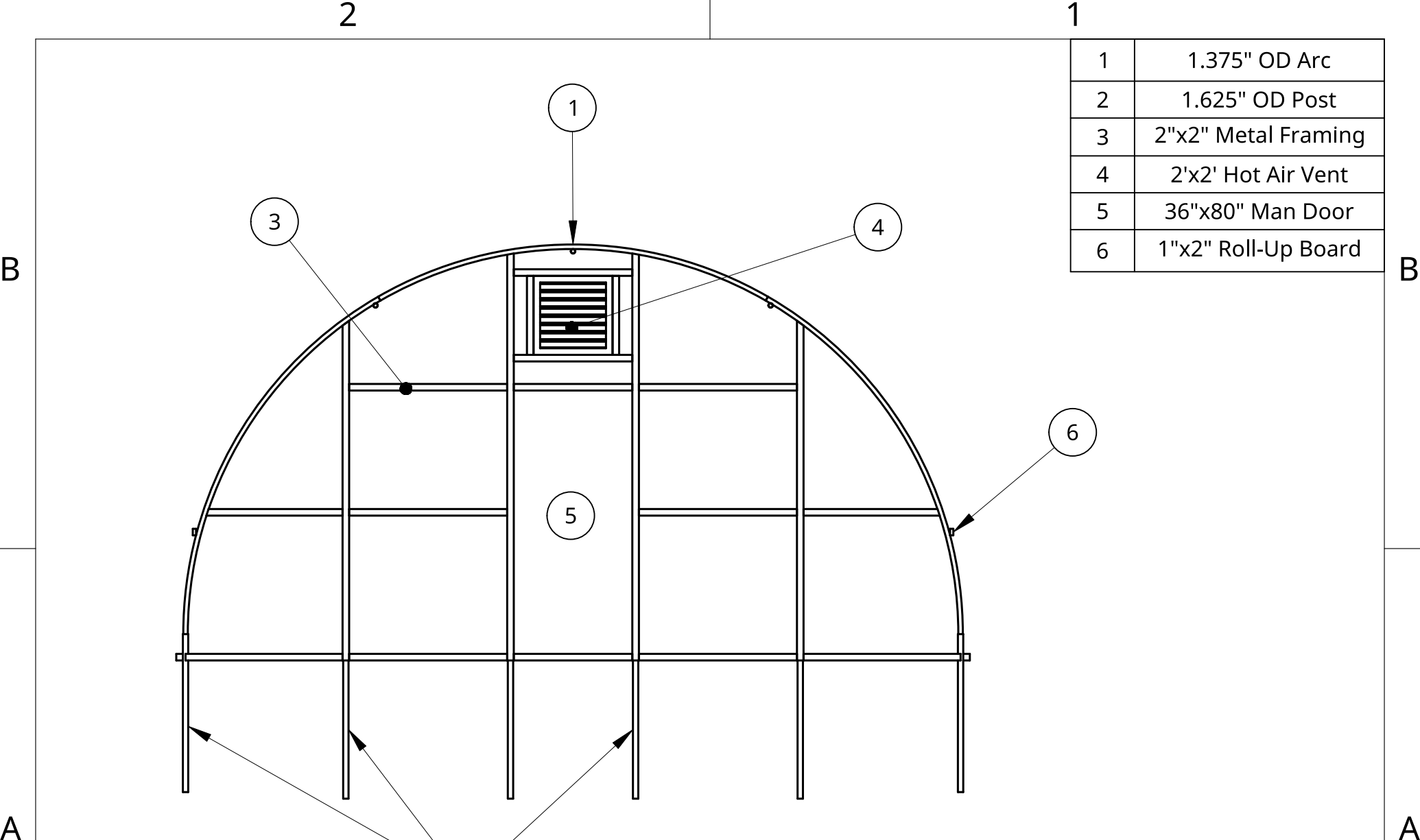
A

WIND LOAD - 65 MPH  
 SNOW LOAD - 30 PSF

2

1

UNLESS OTHERWISE SPECIFIED, DIMENSIONS ARE IN INCHES .XX = ±.0- .XXX = ±.00- .XXXX = ±.000- SURFACE FINISH 		NAME	DATE	Roberts Ranch Hoophouses	
DO NOT SCALE DRAWING	DRAWN	RICA JANE ABING	08/08/2024	TITLE  7' x 7' Dual Bay Door Plan Details	
BREAK ALL SHARP EDGES AND REMOVE BURRS	CHECKED	Kevin Roberts			
THIRD ANGLE PROJECTION 	APPROVED				
	MATERIAL	FINISH		SIZE	DWG NO.
	Galvanized Steel			A	H24-4
				SCALE	WEIGHT
				1:20	
				SHEET	REV.
				4 of 5	C



1	1.375" OD Arc
2	1.625" OD Post
3	2"x2" Metal Framing
4	2'x2' Hot Air Vent
5	36"x80" Man Door
6	1"x2" Roll-Up Board

WIND LOAD - 65 MPH  
SNOW LOAD - 30 PSF

UNLESS OTHERWISE SPECIFIED, DIMENSIONS ARE IN INCHES .XX = ±.0- .XXX = ±.00- .XXXX = ±.000-		NAME	DATE	Roberts Ranch Hoophouses	
SURFACE FINISH <input checked="" type="checkbox"/>		DRAWN	RICA JANE ABING	07/12/2024	TITLE 20' Wide Hoophouse Back View & BOM
DO NOT SCALE DRAWING		CHECKED	Kevin Roberts		
BREAK ALL SHARP EDGES AND REMOVE BURRS		APPROVED			
THIRD ANGLE PROJECTION		MATERIAL	FINISH		SIZE
		Galvanized Steel			A
					DWG NO.
					H20-5
					REV.
					C
		SCALE	1:40	WEIGHT	SHEET
					5 of 5

2

1

B

B

A

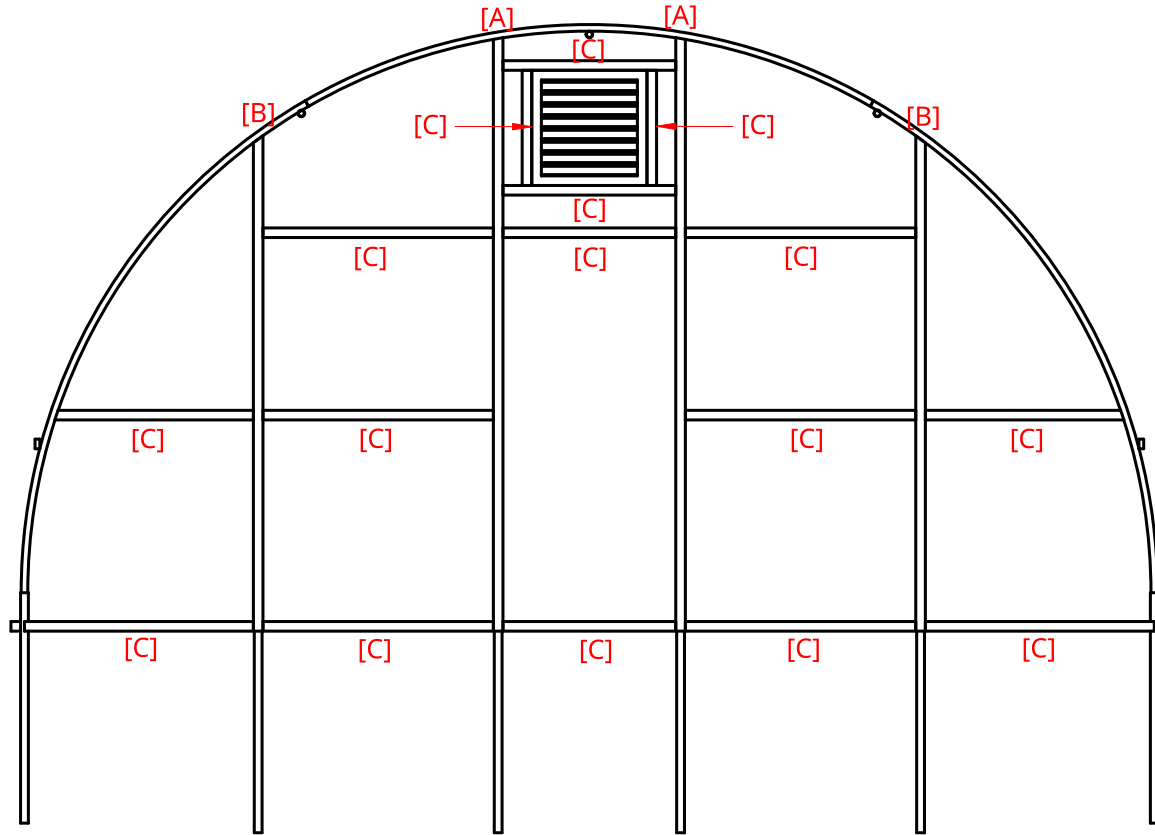
A

2

1

### Metal Framing Detail

Item	Description
A, B	2"x2" Vertical Stud
C	2"x2" Horizontal Stud
C	2"x2" Base Frame
C	2"x2" Air Vent Frame



B

B

A

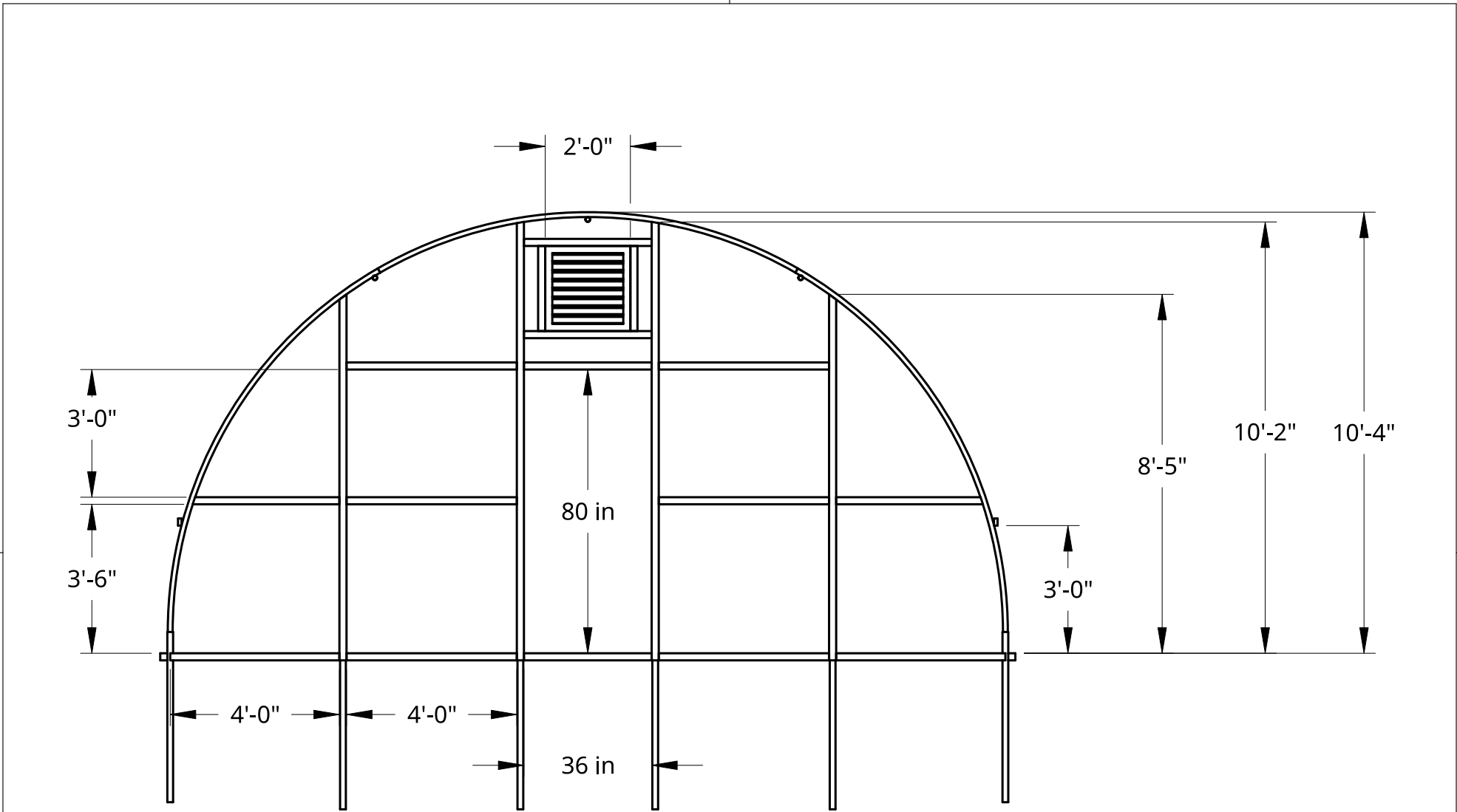
A

WIND LOAD - 65 MPH  
 SNOW LOAD - 30 PSF

UNLESS OTHERWISE SPECIFIED, DIMENSIONS ARE IN INCHES .XX = ±.0- .XXX = ±.00- .XXXX = ±.000- SURFACE FINISH <input checked="" type="checkbox"/>		NAME	DATE	Roberts Ranch Hoopouses	
DO NOT SCALE DRAWING	DRAWN	RICA JANE ABING	07/12/2024	TITLE 20' Wide Hoopouse Back View & BOM	
BREAK ALL SHARP EDGES AND REMOVE BURRS	CHECKED	Kevin Roberts			
THIRD ANGLE PROJECTION	APPROVED				
	MATERIAL	FINISH		SIZE	DWG. NO.
	Galvanized Steel			A	H20-6
				SCALE	WEIGHT
				1:40	
				SHEET	6 of 9
				REV.	C

2

1



WIND LOAD - 65 MPH  
 SNOW LOAD - 30 PSF

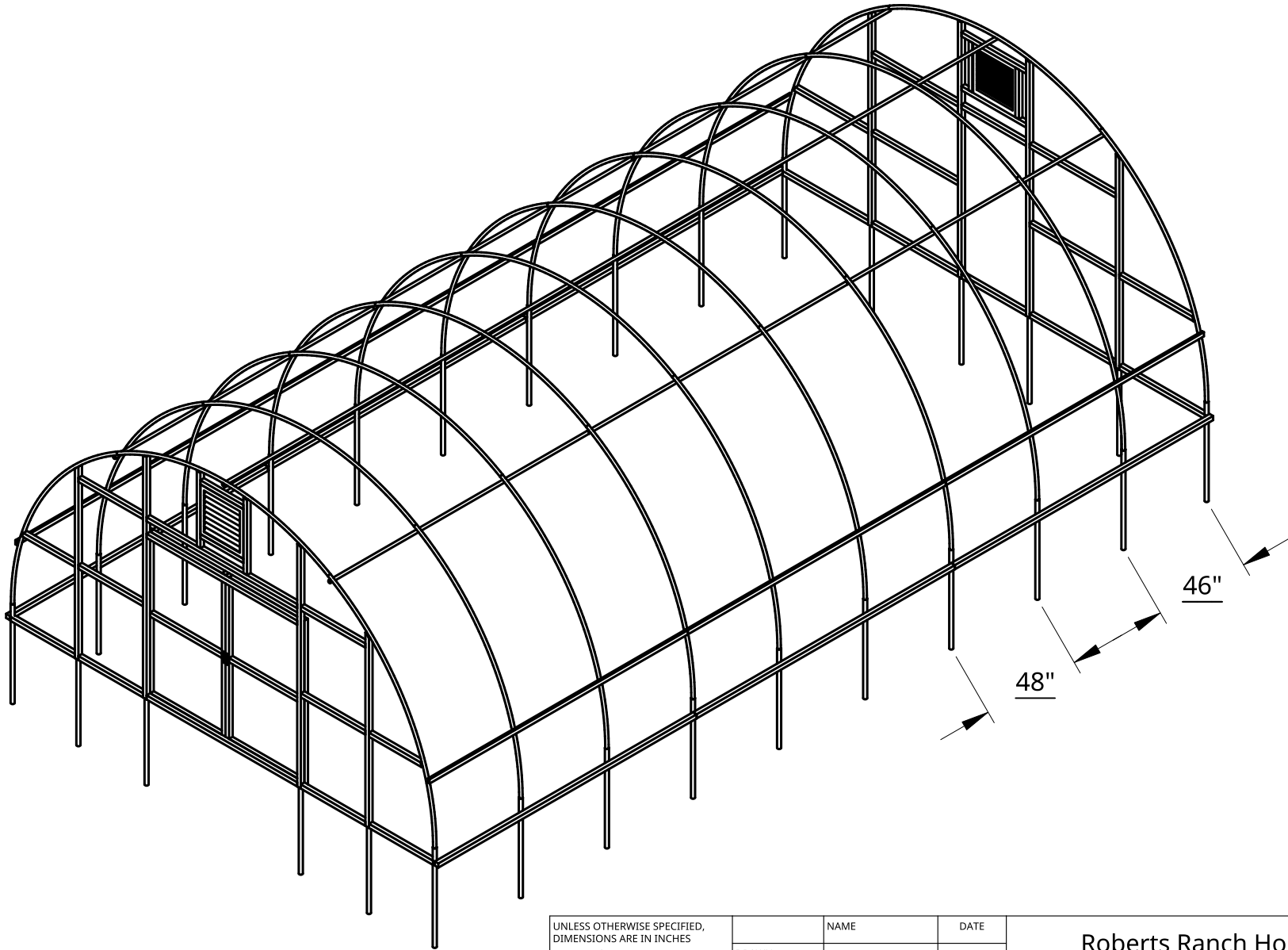
UNLESS OTHERWISE SPECIFIED, DIMENSIONS ARE IN INCHES .XX = ±.0- .XXX = ±.00- .XXXX = ±.000-		NAME	DATE	Roberts Ranch Hoophouses	
ANGULAR = ± ° FRACTIONAL = ±	DRAWN	RICA JANE ABING	07/13/2024	TITLE	
SURFACE FINISH ✓	CHECKED	Kevin Roberts		20' Wide Hoophouse Dimensioned Back View	
DO NOT SCALE DRAWING	APPROVED			SIZE	REV. C
BREAK ALL SHARP EDGES AND REMOVE BURRS				A	DWG NO. H24-7
THIRD ANGLE PROJECTION	MATERIAL	FINISH		SCALE	WEIGHT
	Galvanized Steel			1:40	SHEET 7 of 9

B

B

A

A



WIND LOAD - 65 MPH  
 SNOW LOAD - 30 PSF

UNLESS OTHERWISE SPECIFIED, DIMENSIONS ARE IN INCHES .XX = ±.0- .XXX = ±.00- .XXXX = ±.000- SURFACE FINISH <input checked="" type="checkbox"/>		NAME	DATE	Roberts Ranch Hoopouses	
DO NOT SCALE DRAWING	DRAWN	RICA JANE ABING	08/08/2024	TITLE	
BREAK ALL SHARP EDGES AND REMOVE BURRS	CHECKED	Kevin Roberts		20' Wide Hoopouse Projected Views & BOM	
THIRD ANGLE PROJECTION	APPROVED			SIZE	REV.
	MATERIAL	FINISH		A	C
	Galvanized Steel			DWG NO.	H20-8
				SCALE	1:100
				WEIGHT	
				SHEET	8 of 9

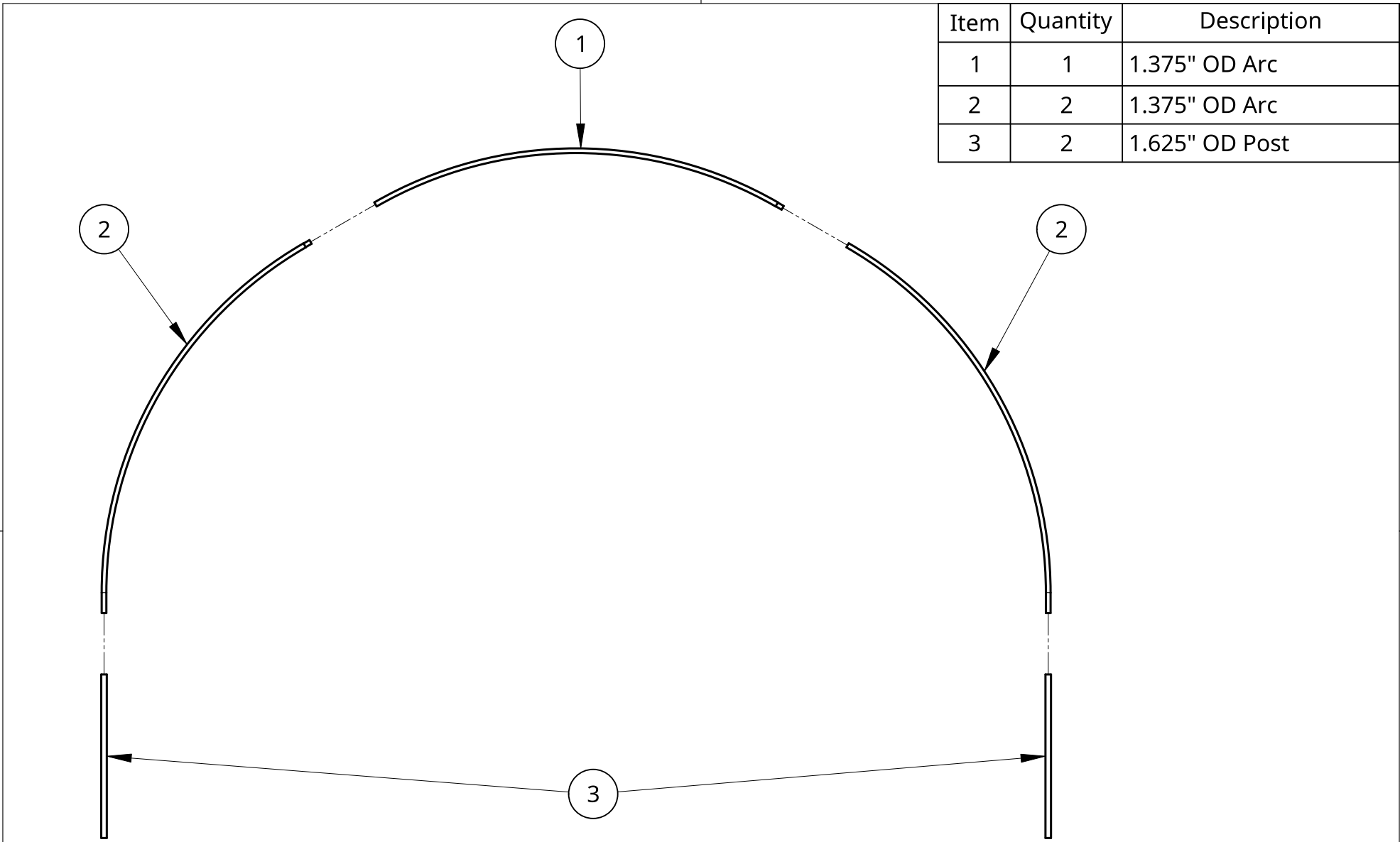
2

1

2

1



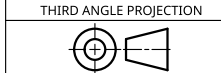


Item	Quantity	Description
1	1	1.375" OD Arc
2	2	1.375" OD Arc
3	2	1.625" OD Post

WIND LOAD - 65 MPH  
 SNOW LOAD - 30 PSF

UNLESS OTHERWISE SPECIFIED,  
 DIMENSIONS ARE IN INCHES  
 .XX = ±.0-  
 .XXX = ±.00-  
 .XXXX = ±.000-  
 SURFACE FINISH  $\sqrt{\hspace{1cm}}$

DO NOT SCALE DRAWING  
 BREAK ALL SHARP EDGES AND  
 REMOVE BURRS



	NAME	DATE
DRAWN	RICA JANE ABING	07/12/2024
CHECKED	Kevin Roberts	
APPROVED		

MATERIAL	FINISH
Galvanized Steel	

Roberts Ranch Hoophouses			
TITLE			
20' Wide Hoophouse Arch Exploded View			
SIZE	DWG NO.	REV.	
A	H20-9	C	
SCALE	WEIGHT	SHEET	
1:40		9 of 9	