

| | |
|----|---------------------------------|
| 1 | 1.875" OD Peak |
| 2 | 1.625" OD Truss |
| 3 | 1.625" OD Arc |
| 4 | 1.625" OD Post |
| 5 | Wood Framing |
| 6 | 2"x12" Dual Sliding Door Header |
| 7 | 2'x2' Hot Air Vent |
| 8 | 8'x8' Bay Door |
| 9 | 1"x4" Roll-Up Board |
| 10 | 1.375" OD Purlin |

Wind Load - 65 MPH
 Snow Load - 30 PSF

| | | | |
|--|------------------------|---------------|------------|
| UNLESS OTHERWISE SPECIFIED, DIMENSIONS ARE IN INCHES .X = ±0.1 | DRAWN | Rica Abing | 08/07/2024 |
| | CHECKED | Kevin Roberts | |
| | APPROVED | | |
| | THIRD ANGLE PROJECTION | | |
| MATERIAL | | FINISH | |

| | | | |
|--|-------------------------|------------------|--|
| Roberts Ranch Hoophouses | | | |
| 24' Wide Gothic Hightunnel Front View | | | |
| SIZE A | DWG NO. G24-1 | REV. C | |
| SCALE 1:50 | WEIGHT | SHEET 1 of 7 | |

B

B

A

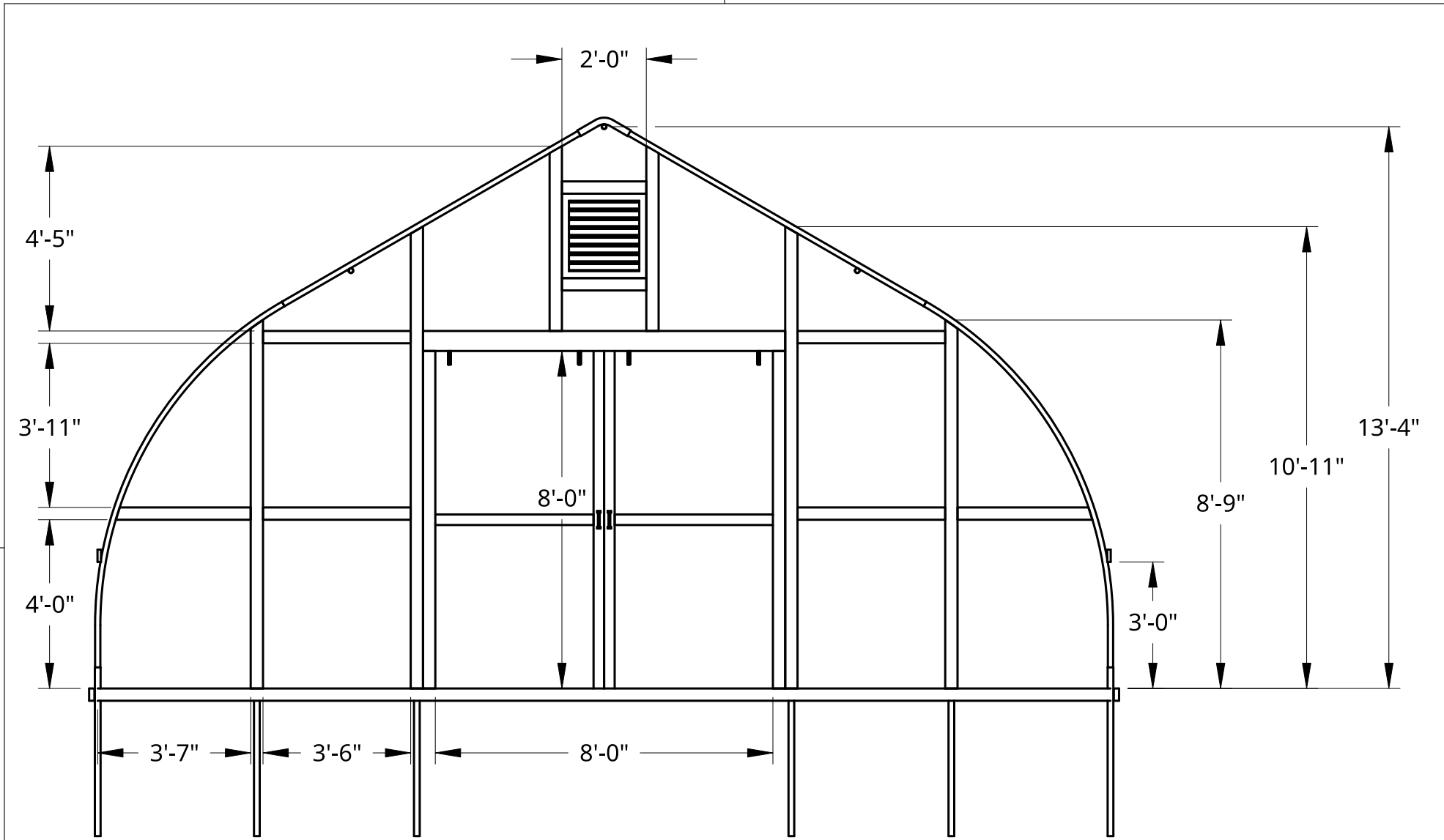
A

2

1

2

1

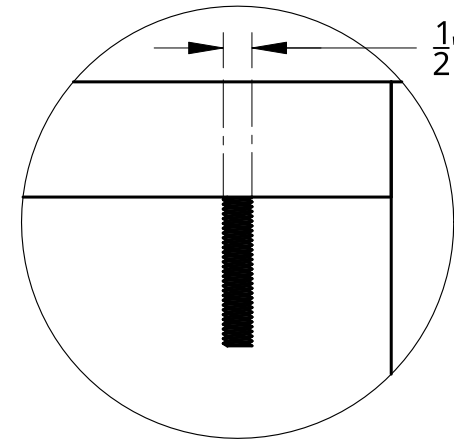
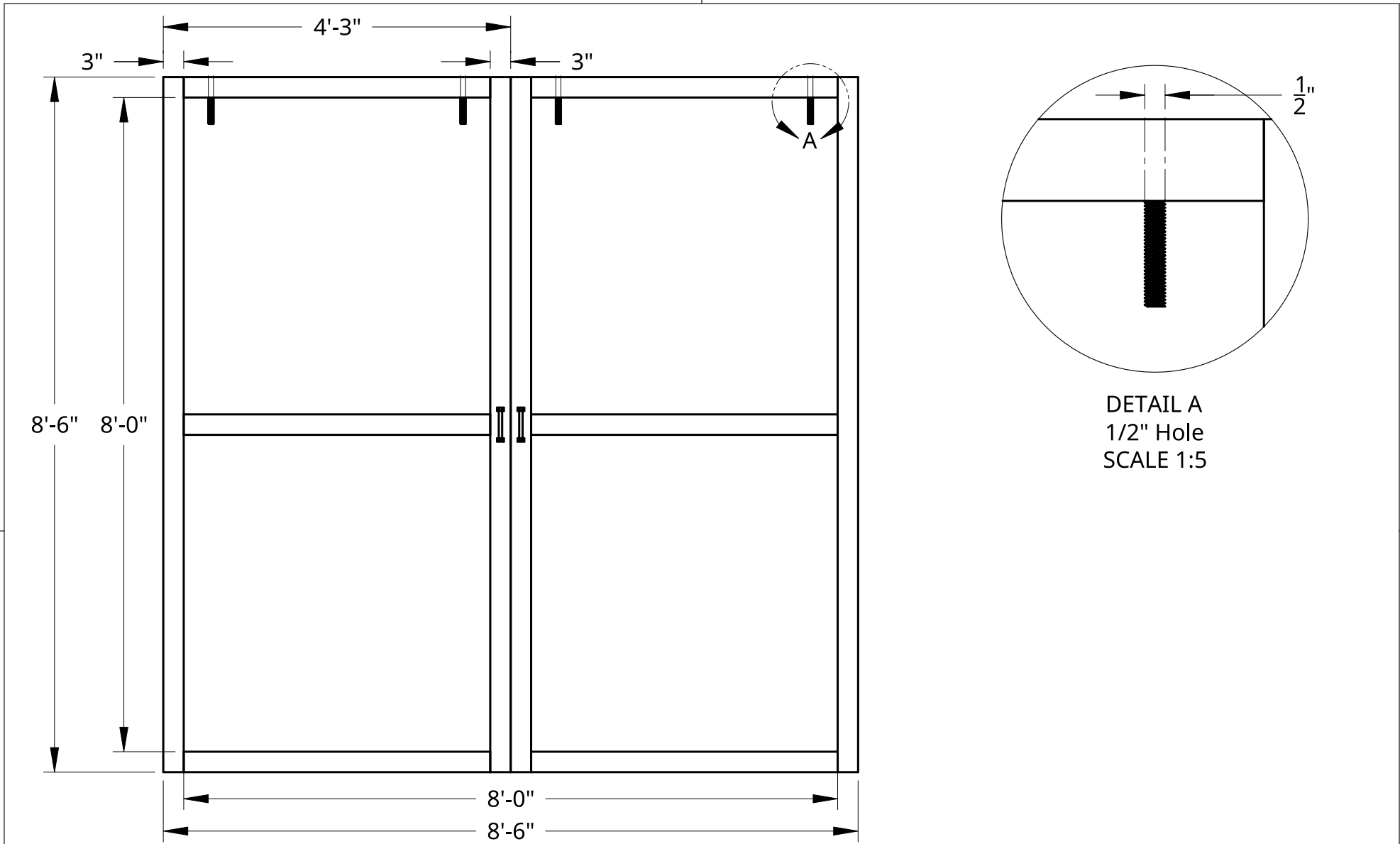


Wind Load - 65 MPH
 Snow Load - 30 PSF

| | | | | | | |
|--|----------|---------------|------------|--------------------------|--------------|---|
| UNLESS OTHERWISE SPECIFIED, DIMENSIONS ARE IN INCHES | | NAME | DATE | Roberts Ranch Hoophouses | | |
| .X = ±0.1 | DRAWN | Rica Abing | 08/07/2024 | | | TITLE 24' Wide Gothic Hightunnel Dimensioned Front View |
| | CHECKED | Kevin Roberts | | | | |
| | APPROVED | | | | | |
| BREAK ALL SHARP EDGES AND REMOVE BURRS | | A | | SIZE | DWG. NO. | REV. |
| THIRD ANGLE PROJECTION | | MATERIAL | FINISH | A | G24-2 | C |
| | | | | SCALE | WEIGHT | SHEET |
| | | | | 1:40 | | 2 of 7 |

2

1



DETAIL A
1/2" Hole
SCALE 1:5

Wind Load - 65 MPH
Snow Load - 30 PSF

| | | | | | | | |
|---|----------------|------------------------|---------------|------------|--|-------------------------|---------|
| UNLESS OTHERWISE SPECIFIED, DIMENSIONS ARE IN INCHES | | NAME | | DATE | | Roberts Ranch Hoopouses | |
| .XX = ±.0- | ANGULAR = ± ° | DRAWN | Rica Abing | 08/07/2024 | TITLE 8' x 8' Dual Bay Door Blow-Up Plan & Details | | |
| .XXX = ±.00- | FRACTIONAL = ± | CHECKED | Kevin Roberts | | | | |
| .XXXX = ±.000- | | APPROVED | | | | | |
| SURFACE FINISH | | MATERIAL | | FINISH | | SIZE | DWG NO. |
| DO NOT SCALE DRAWING | | Galvanized Steel | | | | A | G24-3 |
| BREAK ALL SHARP EDGES AND REMOVE BURRS | | THIRD ANGLE PROJECTION | | | | SCALE | WEIGHT |
| | | | | | | 1:20 | 3 of 7 |

2

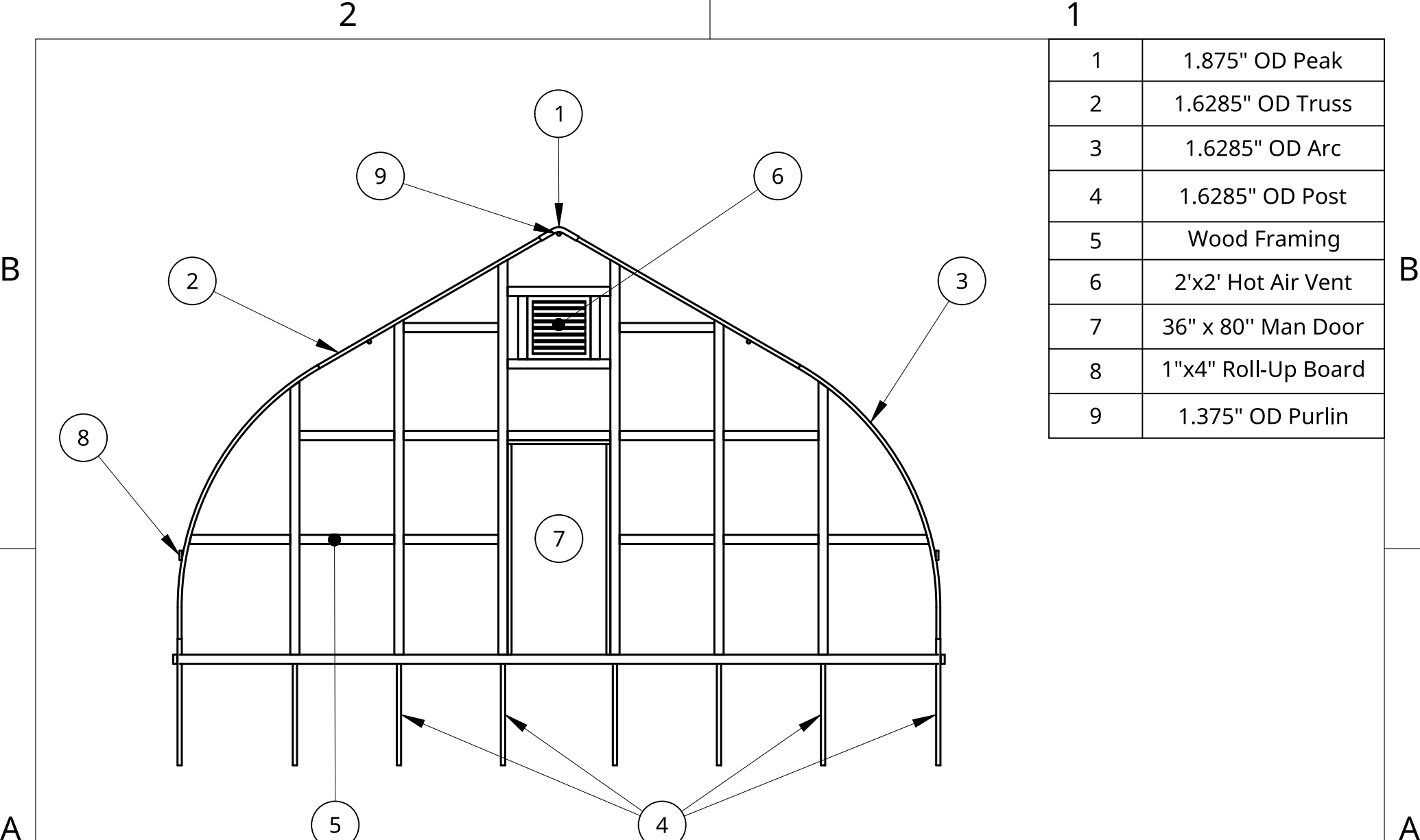
1

B

B

A

A

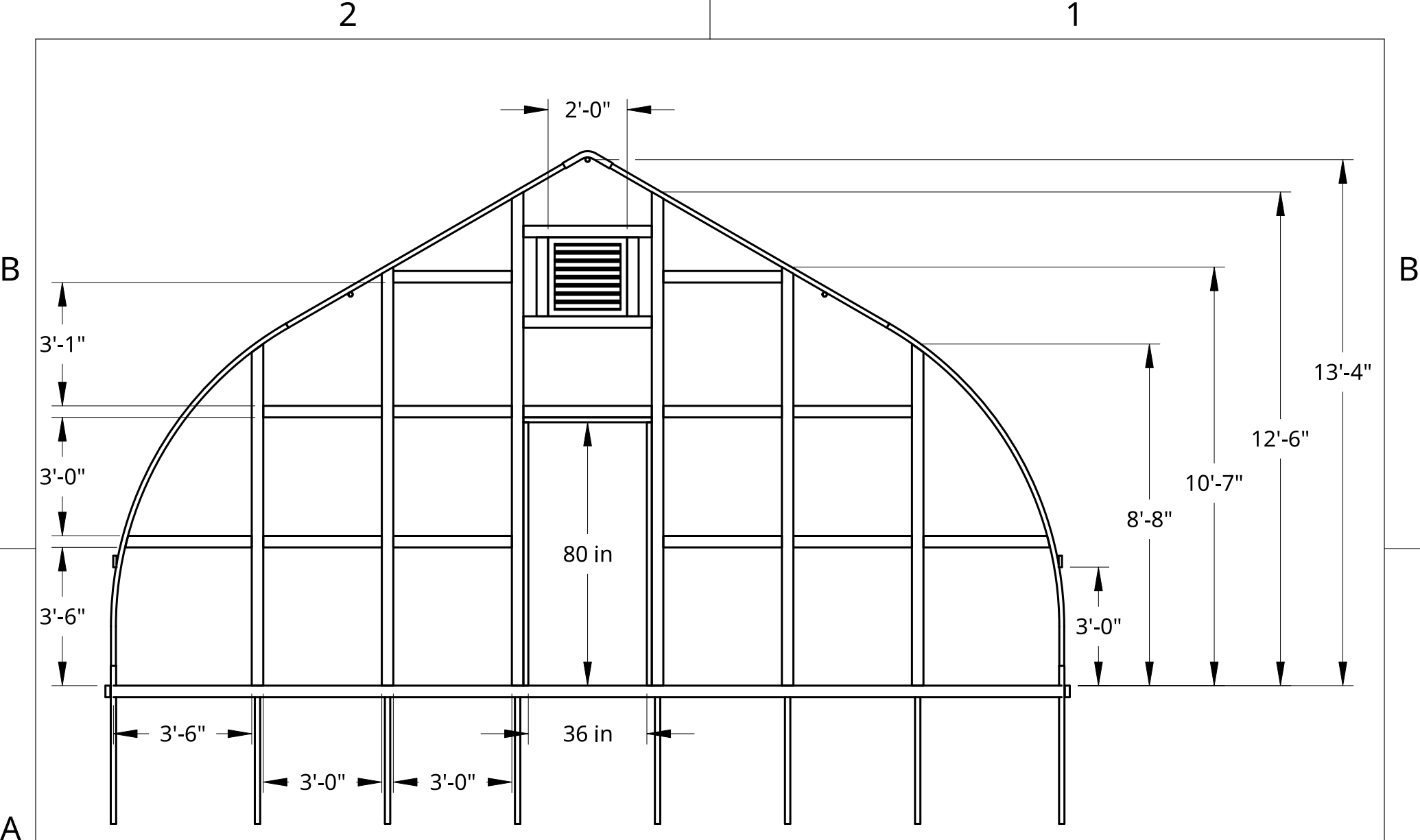


| | |
|---|---------------------|
| 1 | 1.875" OD Peak |
| 2 | 1.6285" OD Truss |
| 3 | 1.6285" OD Arc |
| 4 | 1.6285" OD Post |
| 5 | Wood Framing |
| 6 | 2'x2' Hot Air Vent |
| 7 | 36" x 80" Man Door |
| 8 | 1"x4" Roll-Up Board |
| 9 | 1.375" OD Purlin |

Wind Load - 65 MPH
 Snow Load - 30 PSF

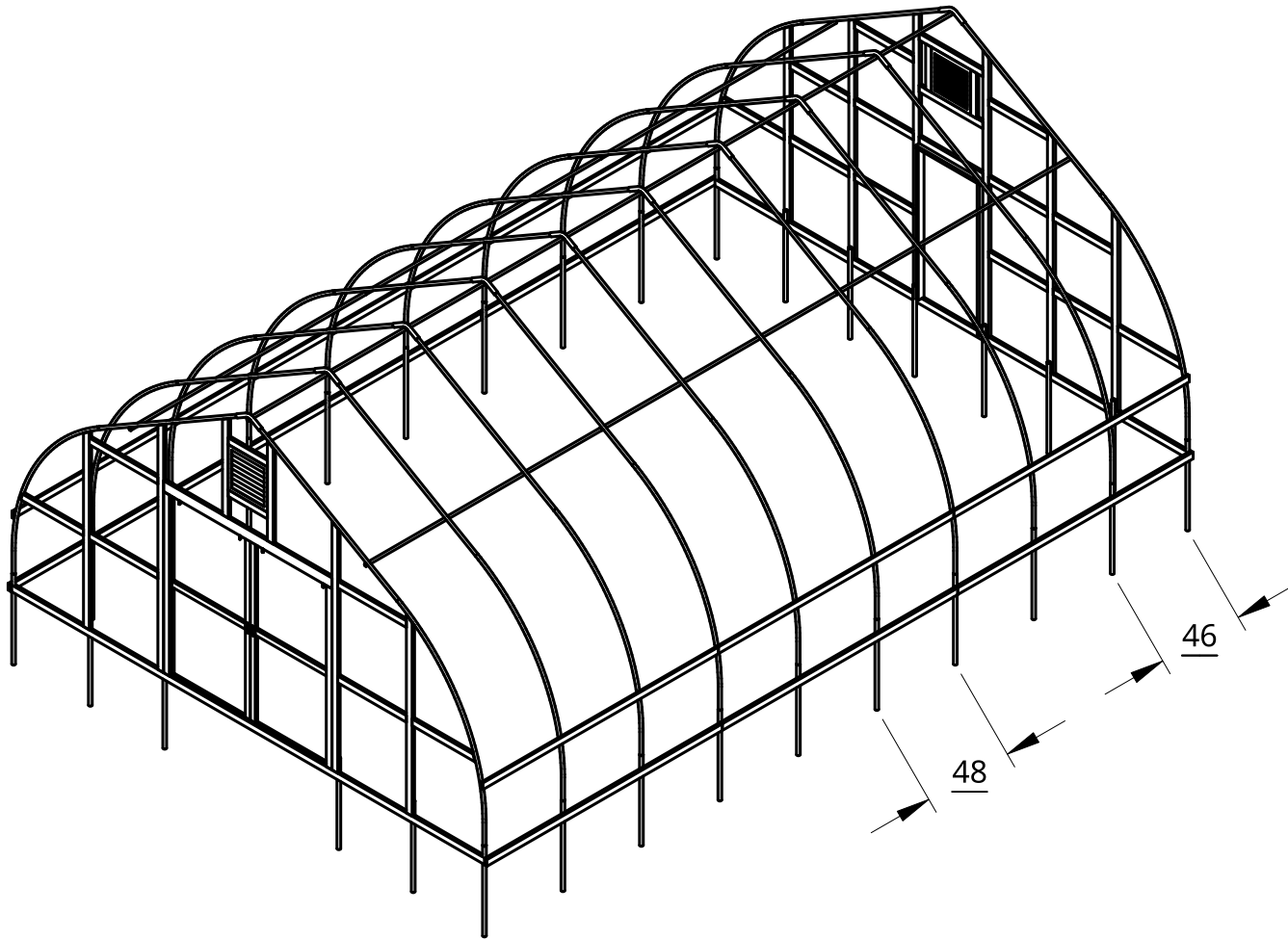
| | | | |
|---|----------|---------------|------------|
| UNLESS OTHERWISE SPECIFIED, DIMENSIONS ARE IN INCHES | | NAME | DATE |
| .X = ±0.1 | DRAWN | Rica Abing | 08/02/2024 |
| | CHECKED | Kevin Roberts | |
| | APPROVED | | |
| BREAK ALL SHARP EDGES AND REMOVE BURRS | | | |
| THIRD ANGLE PROJECTION | | MATERIAL | FINISH |
| | | | |

| | | | |
|--|------------------|-----------------|--|
| Roberts Ranch Hoophouses | | | |
| TITLE 24' Wide Gothic Hightunnel Back View | | | |
| SIZE A | DWG NO. G24-4 | REV. C | |
| SCALE 1:50 | WEIGHT | SHEET 4 of 7 | |



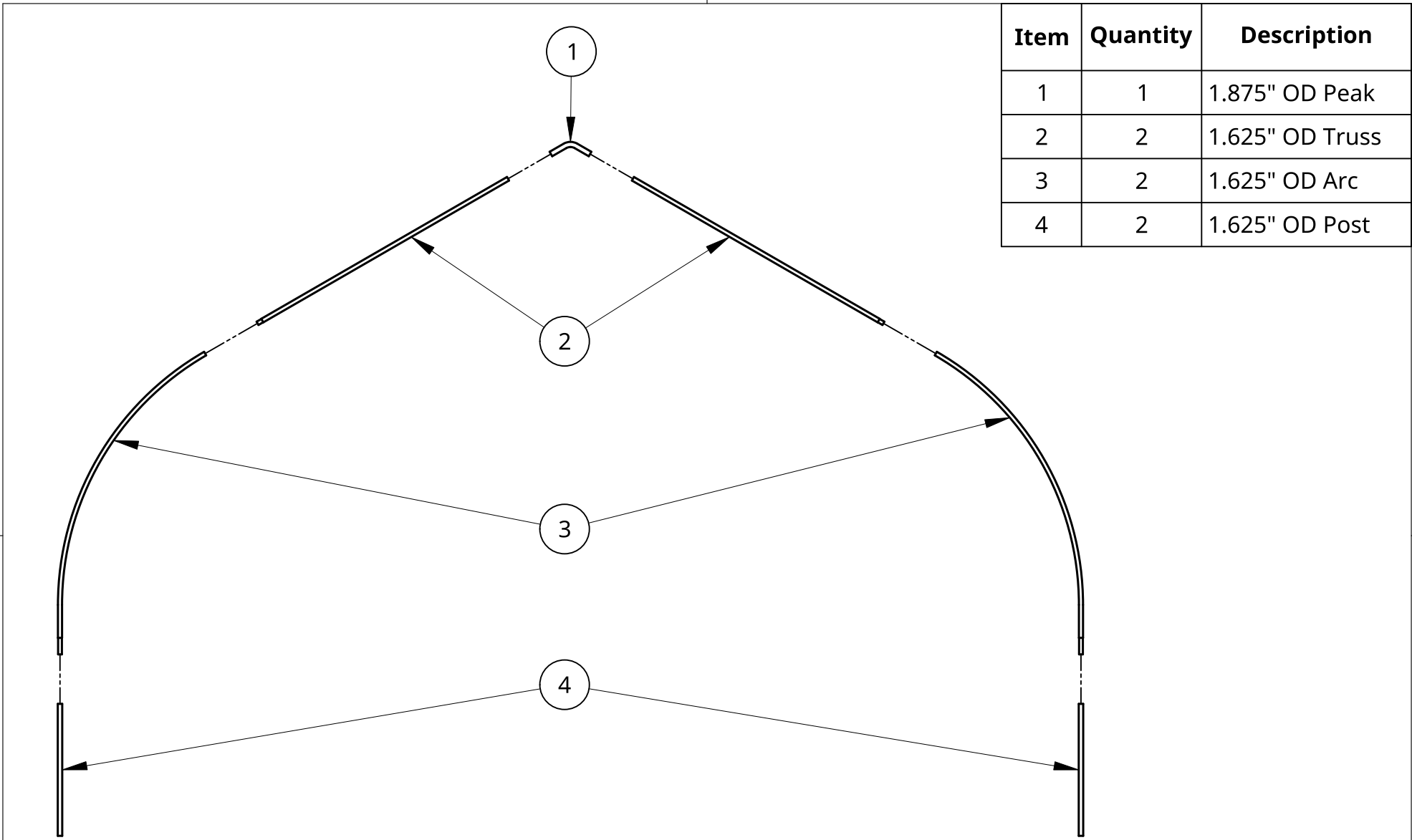
Wind Load - 65 MPH
 Snow Load - 30 PSF

| | | | | | | |
|--|----------|---------------|------------|--------------------------|--------------|--|
| UNLESS OTHERWISE SPECIFIED, DIMENSIONS ARE IN INCHES | | NAME | DATE | Roberts Ranch Hoophouses | | |
| .X = ±0.1 | DRAWN | Rica Abing | 08/02/2024 | | | TITLE 24' Wide Gothic Hightunnel Dimensioned Back View |
| | CHECKED | Kevin Roberts | | | | |
| | APPROVED | | | | | |
| BREAK ALL SHARP EDGES AND REMOVE BURRS | | A | | SIZE | DWG. NO. | REV. |
| THIRD ANGLE PROJECTION | | MATERIAL | FINISH | A | G24-5 | C |
| | | | | SCALE | WEIGHT | SHEET |
| | | | | 1:40 | | 5 of 7 |



Wind Load - 65 MPH
 Snow Load - 30 PSF

| | | | | | |
|---|----------|---------------|------------|---|---------|
| UNLESS OTHERWISE SPECIFIED, DIMENSIONS ARE IN INCHES | | NAME | DATE | Roberts Ranch Hoophouses | |
| .X = ±0.1 | DRAWN | Rica Abing | 08/07/2024 | TITLE 24' Wide Gothic Hightunnel Isometric View | |
| | CHECKED | Kevin Roberts | | | |
| | APPROVED | | | | |
| BREAK ALL SHARP EDGES AND REMOVE BURRS | | | | SIZE | DWG NO. |
| THIRD ANGLE PROJECTION | | MATERIAL | FINISH | A | G24-6 |
| | | | | SCALE | WEIGHT |
| | | | | 1:120 | 6 of 7 |
| | | | | REV. | C |



| Item | Quantity | Description |
|------|----------|-----------------|
| 1 | 1 | 1.875" OD Peak |
| 2 | 2 | 1.625" OD Truss |
| 3 | 2 | 1.625" OD Arc |
| 4 | 2 | 1.625" OD Post |

Wind Load - 65 MPH
Snow Load - 30 PSF

UNLESS OTHERWISE SPECIFIED,
DIMENSIONS ARE IN INCHES

.XX = ±.0-
.XXX = ±.00-
.XXXX = ±.000-

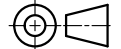
ANGULAR = ± °
FRACTIONAL = ±

SURFACE FINISH

DO NOT SCALE DRAWING

BREAK ALL SHARP EDGES AND
REMOVE BURRS

THIRD ANGLE PROJECTION



| | NAME | DATE |
|----------|---------------|------------|
| DRAWN | Rica Abing | 08/08/2024 |
| CHECKED | Kevin Roberts | |
| APPROVED | | |

| MATERIAL | FINISH |
|------------------|--------|
| Galvanized Steel | |

| Roberts Ranch Hoophouses | | |
|---|-------------------------|----------|
| TITLE 24' Wide Gothic Hightunnel Arch Exploded View | | |
| SIZE A | DWG NO. G24-7 | C |
| SCALE 1:50 | WEIGHT | 7 of 7 |